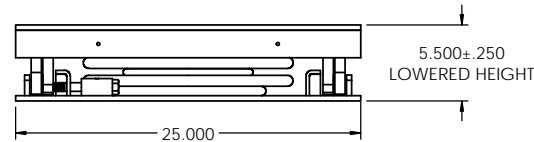
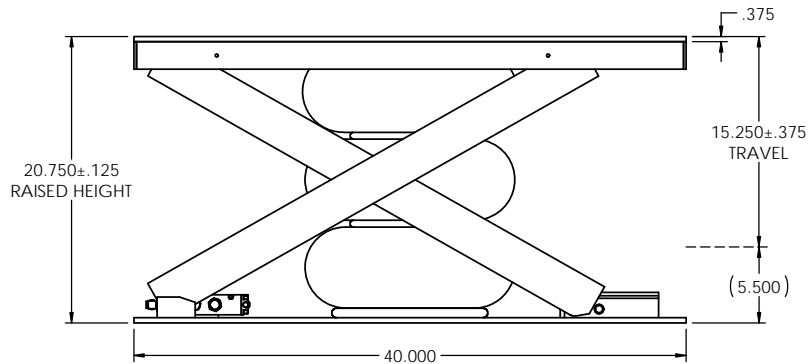
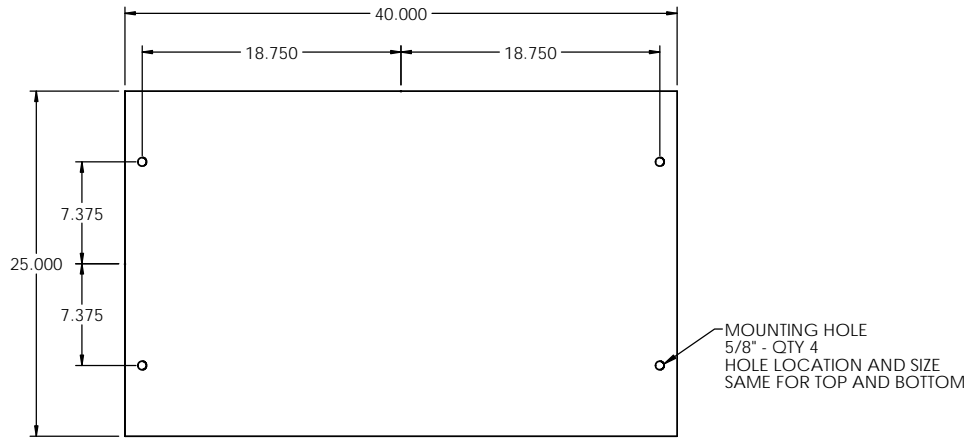
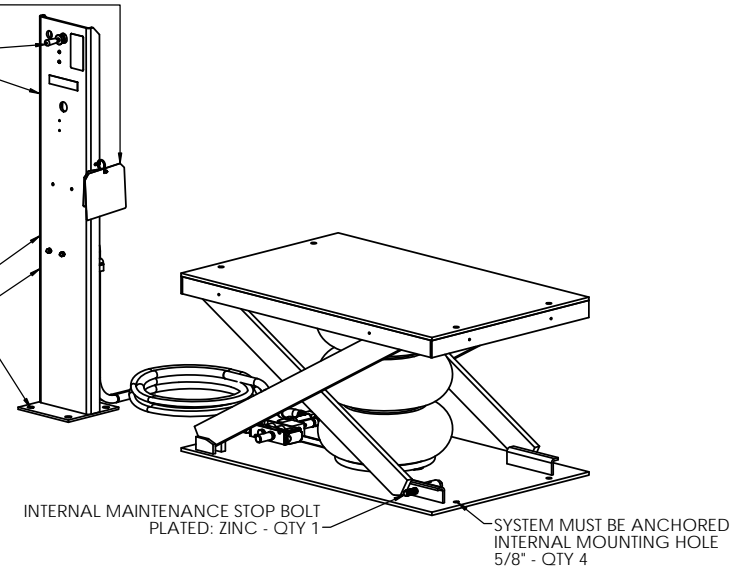


PART #: LSA04-XX-21-2540



OPERATING INSTRUCTIONS  
LIFT CONTROL  
UP/DOWN - SPRING RETURN  
AIR IN LOCATION

FILTER/REGULATOR - OPTIONAL  
LOCKOUT - OPTIONAL  
MOUNTING HOLE  
3/4" - QTY 4



**SPECIFICATIONS - STANDARD**

- CAPACITY: 1,000 - 3,000 LBS  
ALL LOADS MUST BE EVENLY DISTRIBUTED  
LIFT MAY NOT RAISE TO FULL HEIGHT WITH MAXIMUM CAPACITY LOAD
- CONTROLLER: HAND  
CONTROLLER MOUNT: PEDESTAL  
INTERNAL VALVE: PILOTED EXHAUST  
AIR FEED LINE: 1/2" MINIMUM  
AIR PRESSURE: 70 - 100 PSI  
CONTROLLER HOSE: 12 FEET  
SKIRT: OPTIONAL  
(ADD 3-1/2 INCHES PER SIDE TO BASE OF LIFT DIMENSIONS FOR SKIRTING)
- COLOR: LIFT: HERKULES SAFETY ORANGE  
SCISSORS: HERKULES SAFETY ORANGE  
PEDESTAL: HERKULES SAFETY ORANGE
- SAFETY FEATURES: PRESSURE RELIEF VALVE - QTY 1  
CHECK VALVE - QTY 1  
INTERNAL MAINTENANCE STOP BOLT - QTY 1
- WEIGHT SHIPPED: 530 LBS (APPROXIMATE)

THE NEED FOR SAFETY DEVICES VARIES WITH EACH APPLICATION OF THIS PRODUCT THIS DRAWING MAY NOT INCLUDE ALL APPROPRIATE SAFETY DEVICES FOR YOUR APPLICATION.

NOTE: SOME DETAILS ARE NOT INCLUDED ON THIS DRAWING FOR MORE DETAILED SPECIFICATIONS, PLEASE INQUIRE

**PROPRIETARY**

THE INFORMATION CONTAINED ON THIS DRAWING IS PROPRIETARY. IT IS THE SOLE PROPERTY OF HERKULES EQUIPMENT CORPORATION. ANY REPRODUCTION IN PART OR AS A WHOLE WITHOUT THE WRITTEN PERMISSION OF HERKULES EQUIPMENT CORPORATION IS PROHIBITED AND MAY BE UNLAWFUL

TOLERANCES UNLESS OTHERWISE NOTED  
X ± 250  
XX ± 125  
XXX ± 0.030  
XXXX ± 0.0050  
ANGLE ± 1°



DESCRIPTION: LIFT SCISSOR AIR

DRN: TEP	PART NO.: LSA04-XX-21-2540
DATE: 6-2-16	CHKD BY: _____
DWG NO.: 20117238	REV: _____
SHEET: 1 of 1	