



US007070167B1

(12) **United States Patent**
Bacon et al.

(10) **Patent No.:** **US 7,070,167 B1**
(45) **Date of Patent:** **Jul. 4, 2006**

(54) **LOW PROFILE LIFT APPARATUS WITH ONE TO ONE DIRECT LIFTING RATIO**

(75) Inventors: **Todd J. Bacon**, Northville, MI (US);
Richard A. Robb, West Bloomfield, MI (US)

(73) Assignee: **Herkules Equipment Corporation**,
Walled Lake, MI (US)

(*) Notice: Subject to any disclaimer, the term of this patent is extended or adjusted under 35 U.S.C. 154(b) by 189 days.

(21) Appl. No.: **10/754,163**

(22) Filed: **Jan. 10, 2004**

Related U.S. Application Data

(60) Provisional application No. 60/439,839, filed on Jan. 14, 2003.

(51) **Int. Cl.**
B66F 3/24 (2006.01)

(52) **U.S. Cl.** **254/93 HP; 254/10 C**

(58) **Field of Classification Search** **254/93 HP, 254/10 R, 10 B, 10 C**

See application file for complete search history.

(56) **References Cited**

U.S. PATENT DOCUMENTS

4,560,145 A * 12/1985 Widmer 254/93 HP
6,871,364 B1 * 3/2005 Leoutsakos 254/93 HP

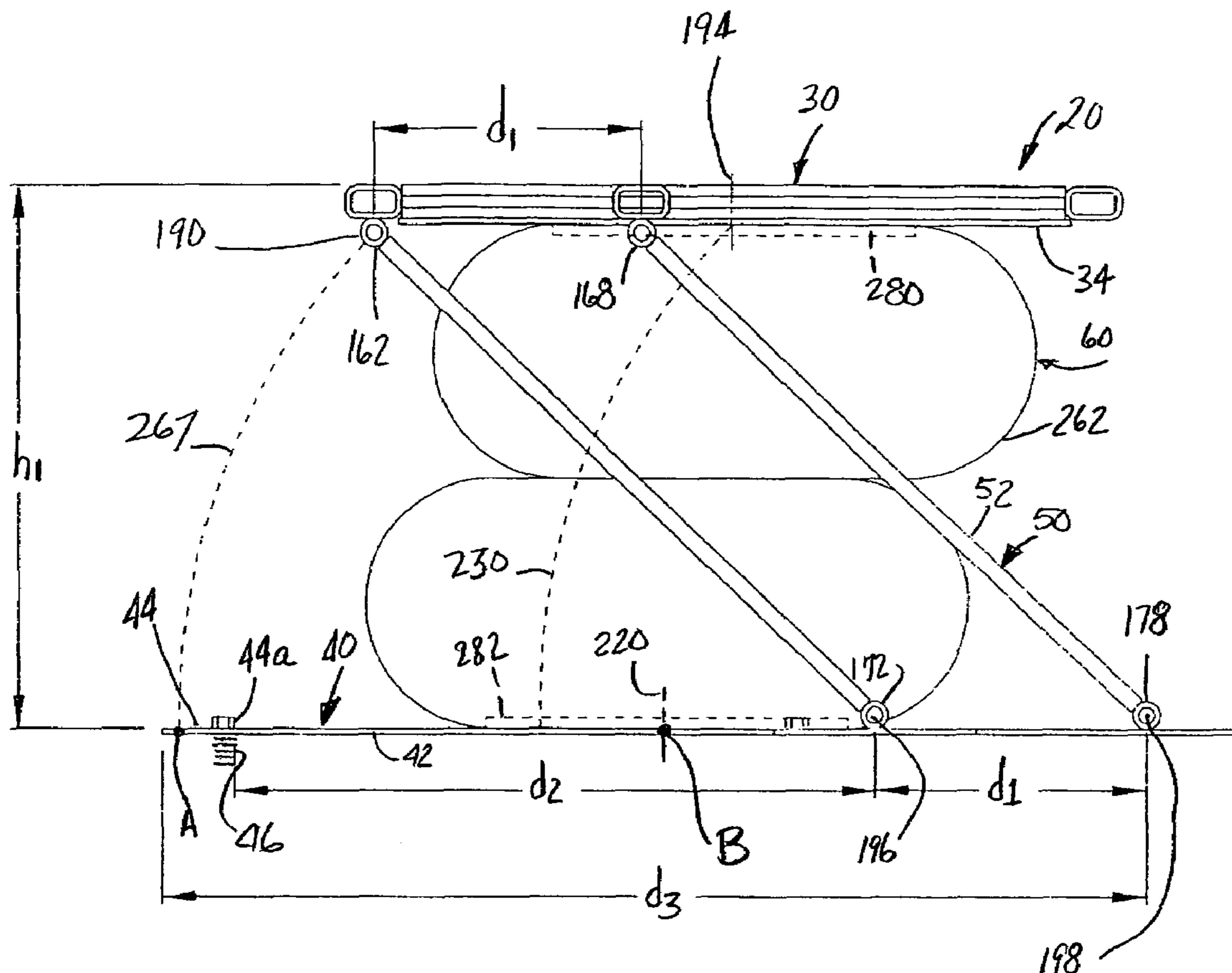
* cited by examiner

Primary Examiner—Robert C. Watson

(57) **ABSTRACT**

A lifting apparatus comprising: one of a mobile/or and stationary base; a lift platform having a geometric first center, the lift platform movable relative to the base from a lowered position to an upper position; a linkage or linkage mechanism interconnecting the base and the lift platform for guiding the base and the lift platform to stay in a generally mutually parallel relationship as the lift platform moves relative to the base; the base, lift platform and linkage configured so that when the lift platform in its lowered position the first center intersects the base at a first point and with the lift platform in its upper position the first center intersects the base at a longitudinally off-set second point; and a fluid (fluid/pneumatic) control spring operatively mounted between the lift platform and the base, for controllably lifting and lowering the lift platform.

29 Claims, 13 Drawing Sheets



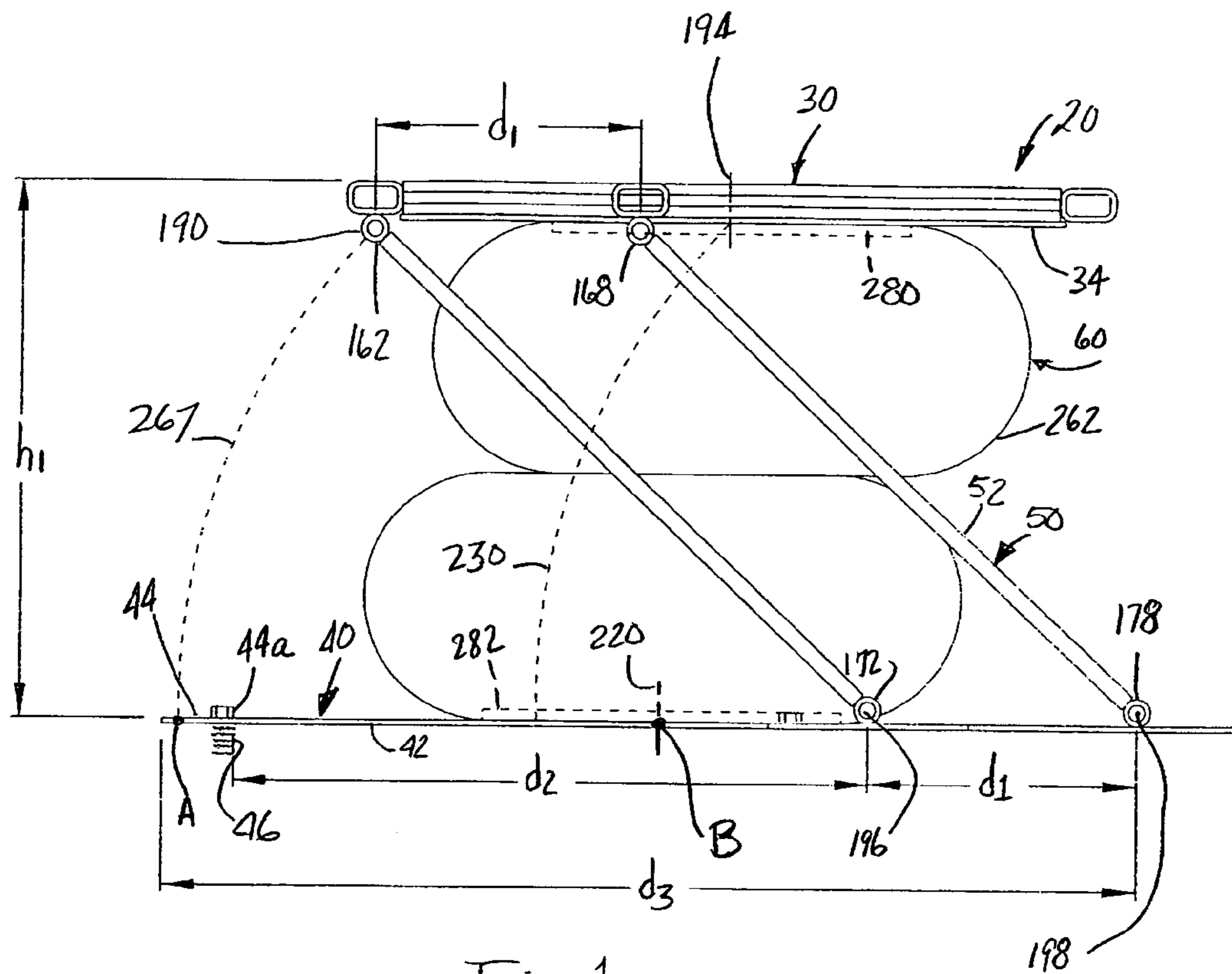


Fig-1

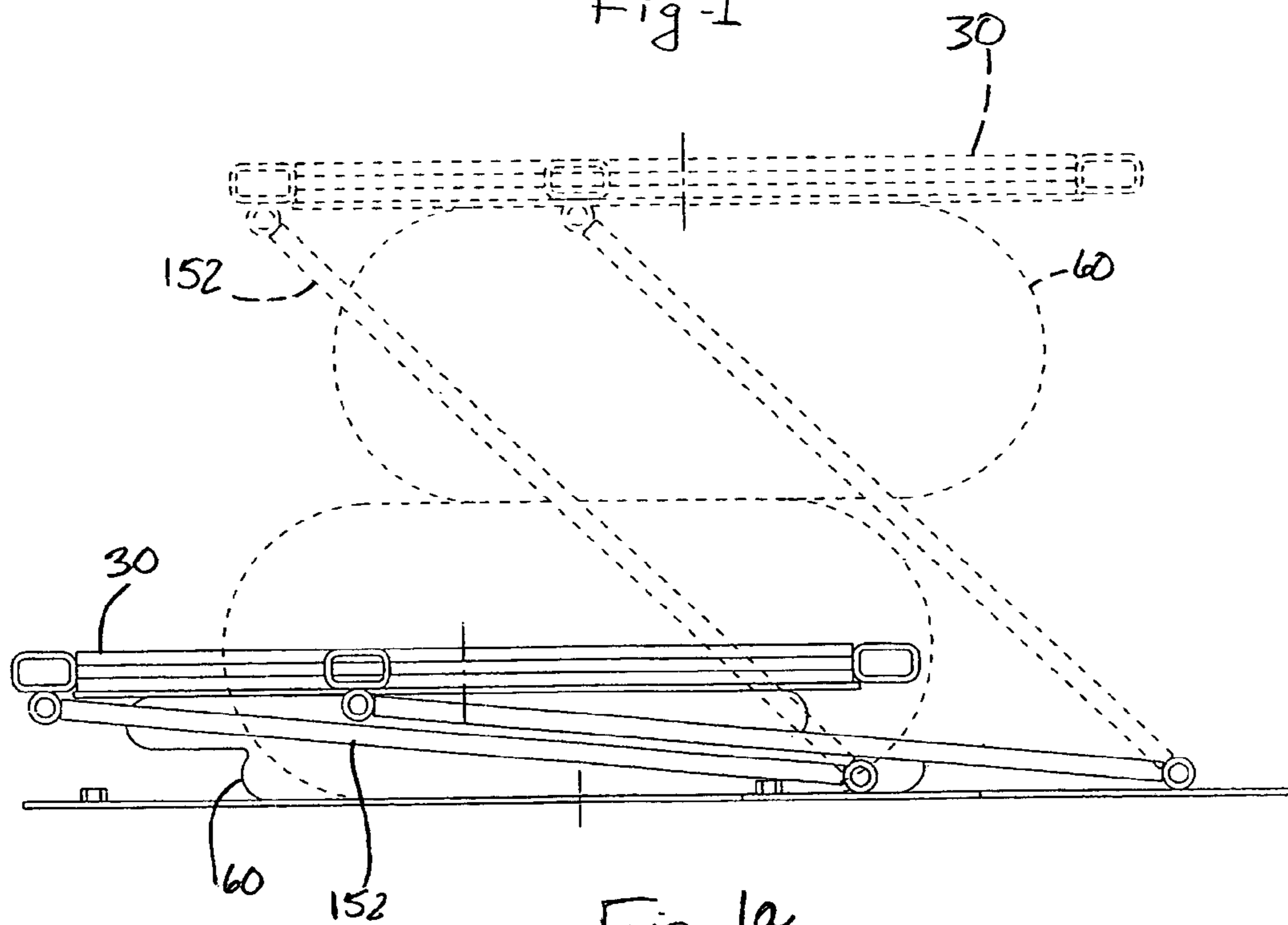


Fig-1a

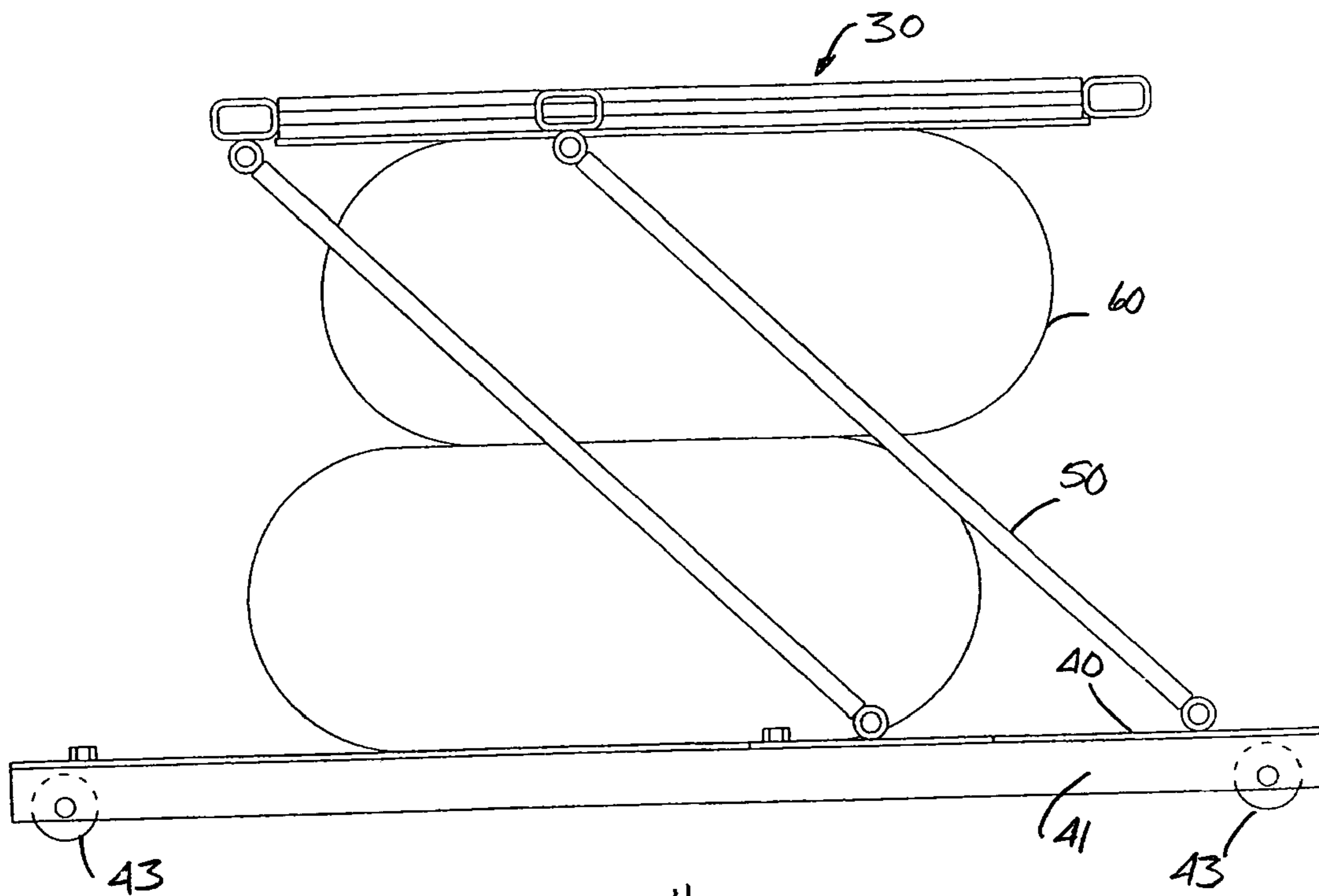


Fig-1b

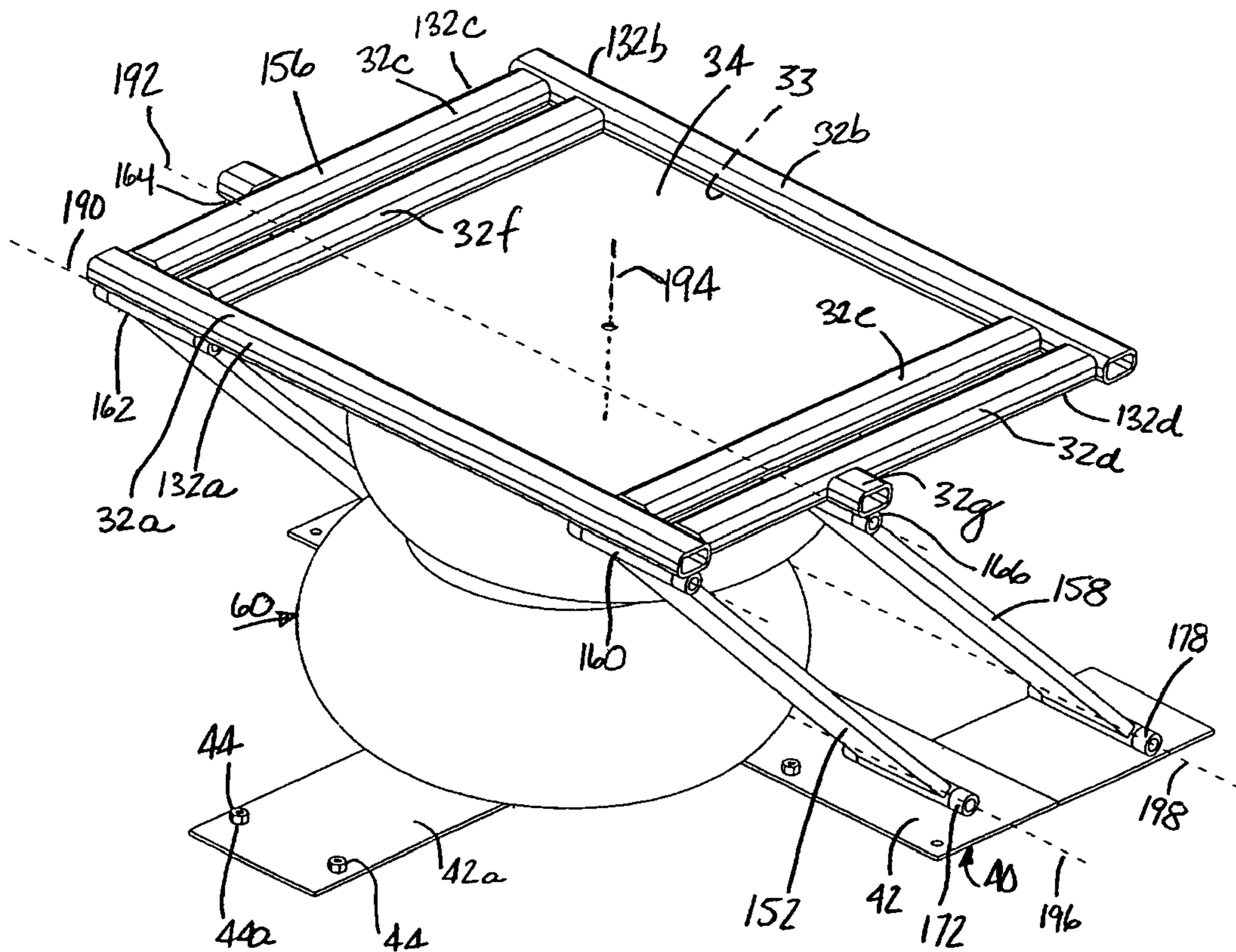


Fig-2

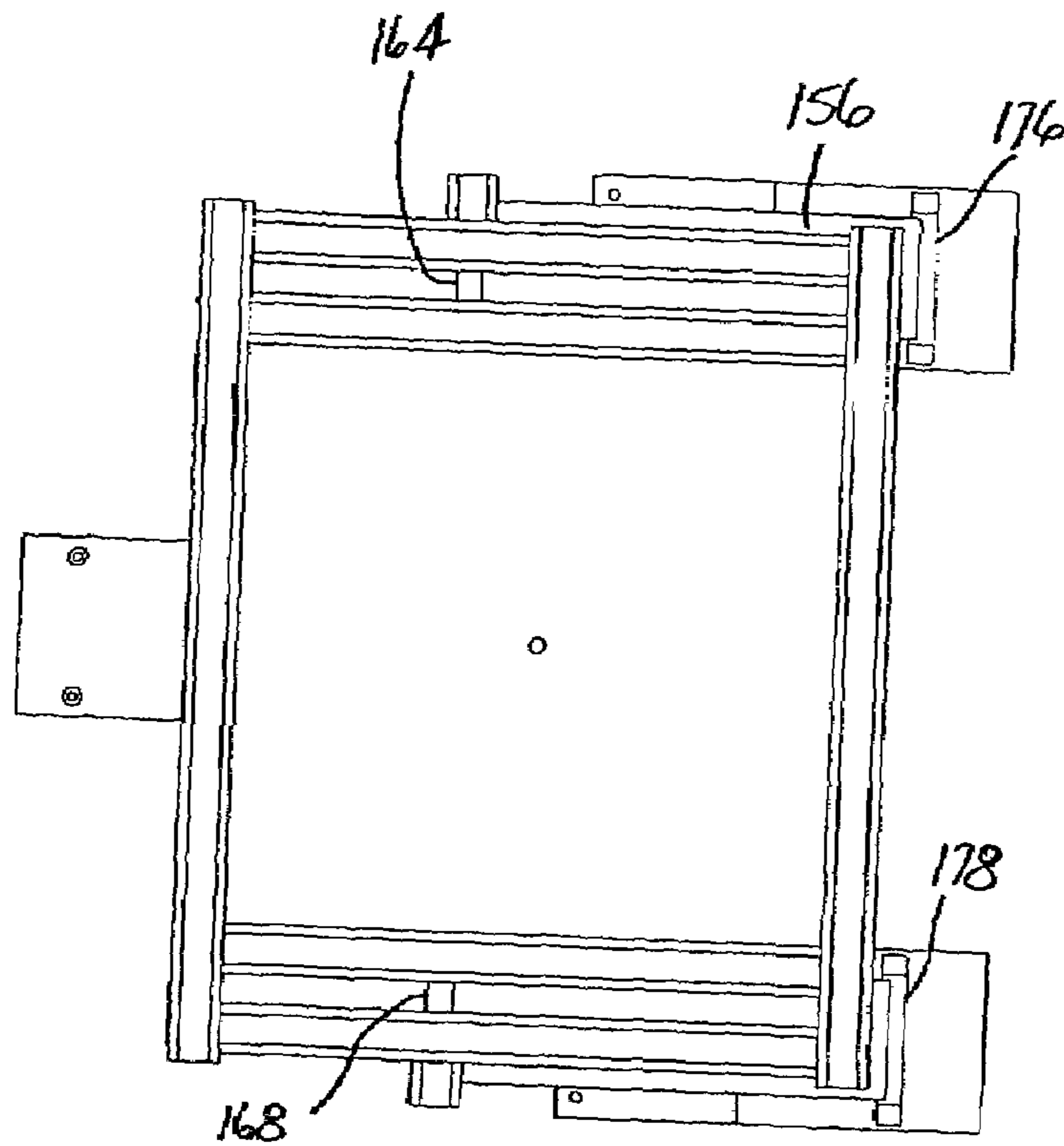


Fig-3

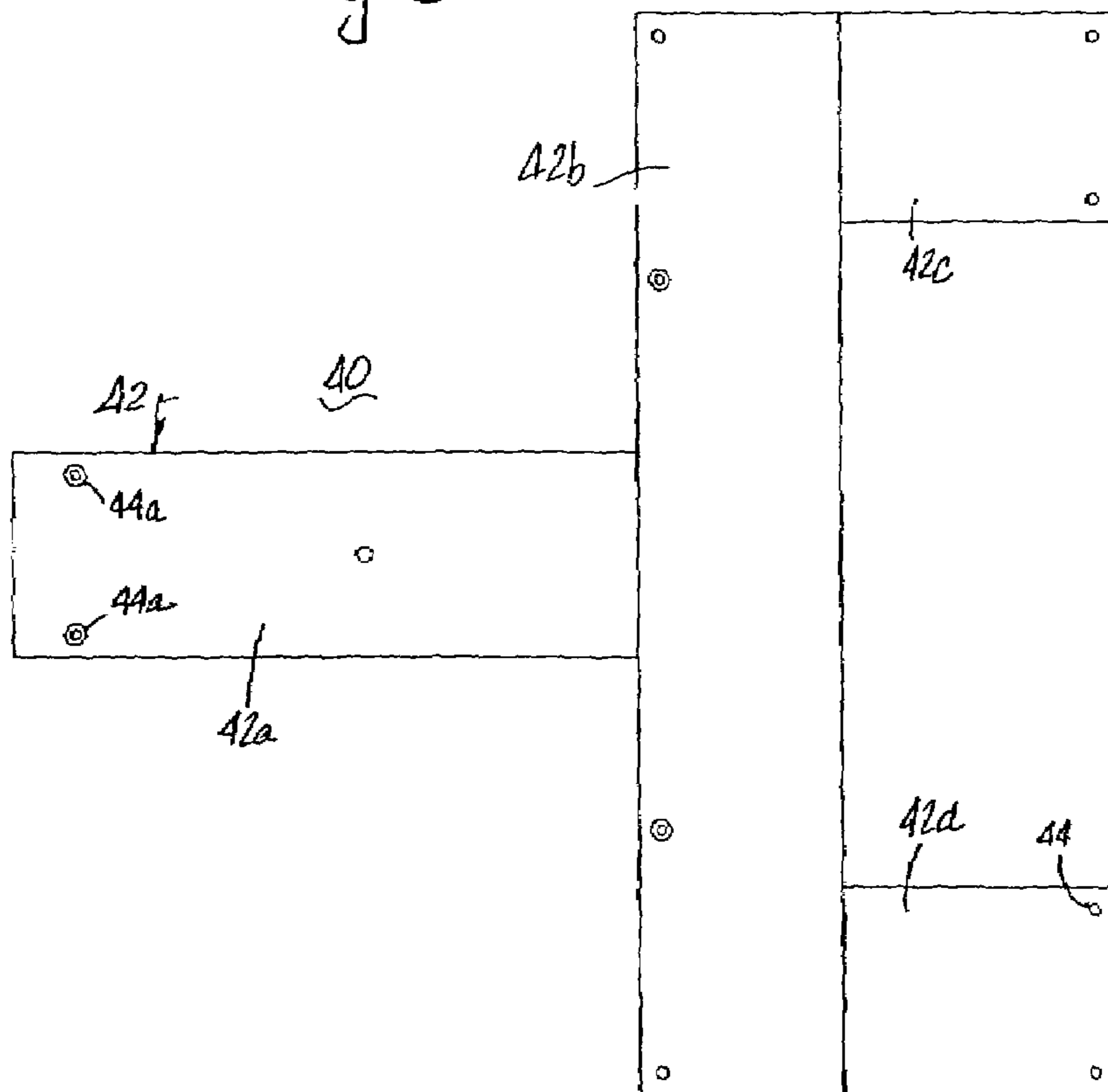
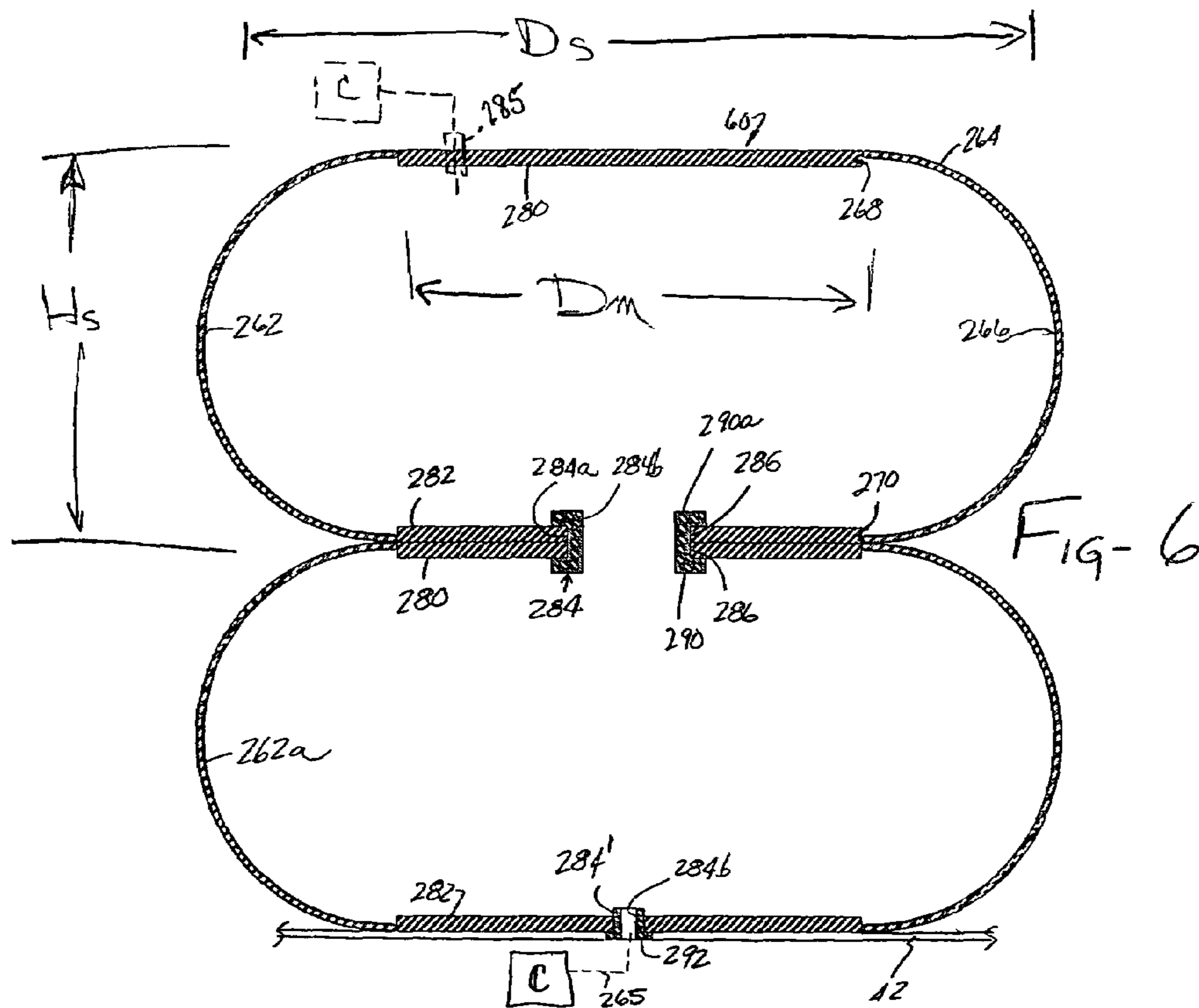
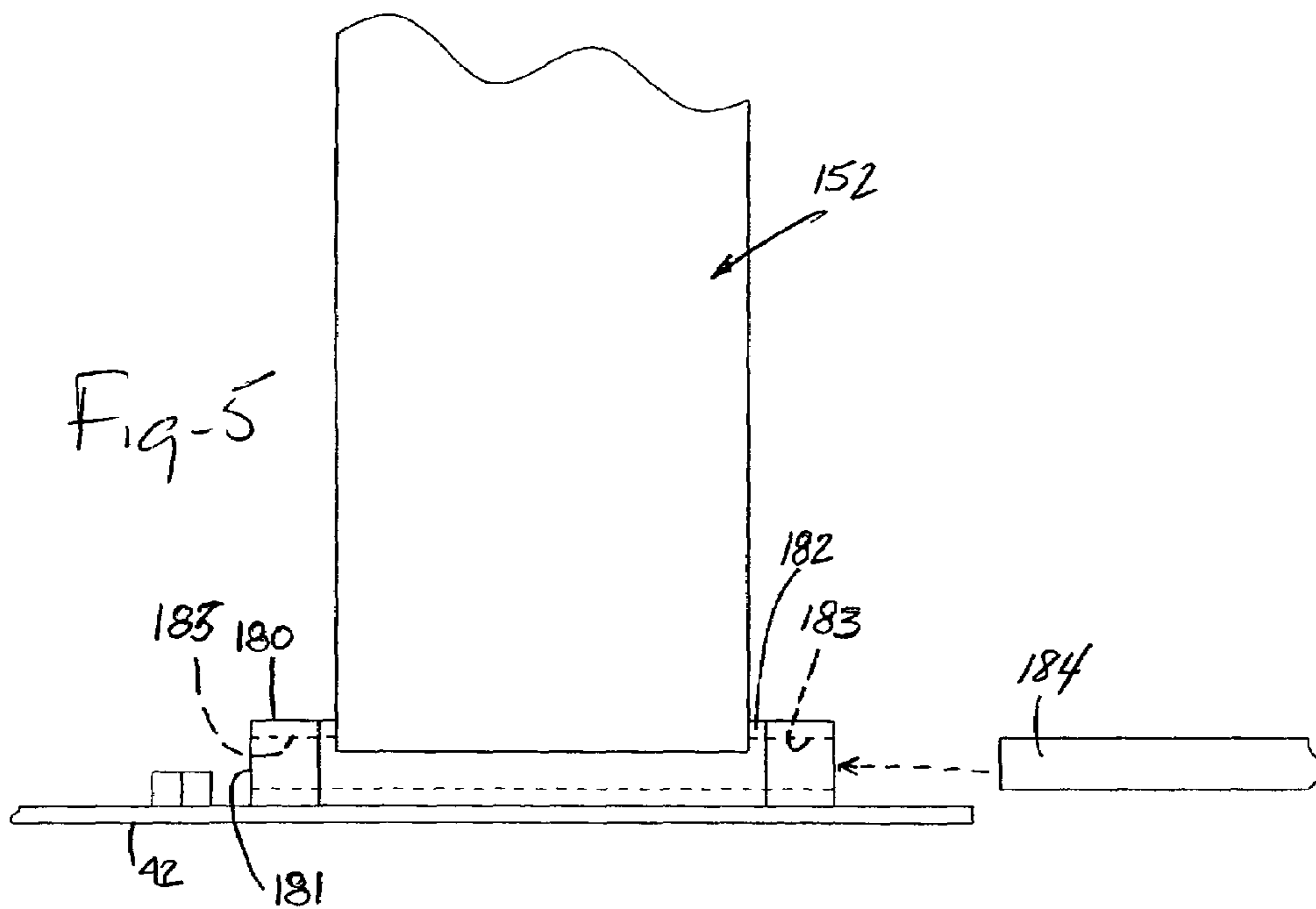
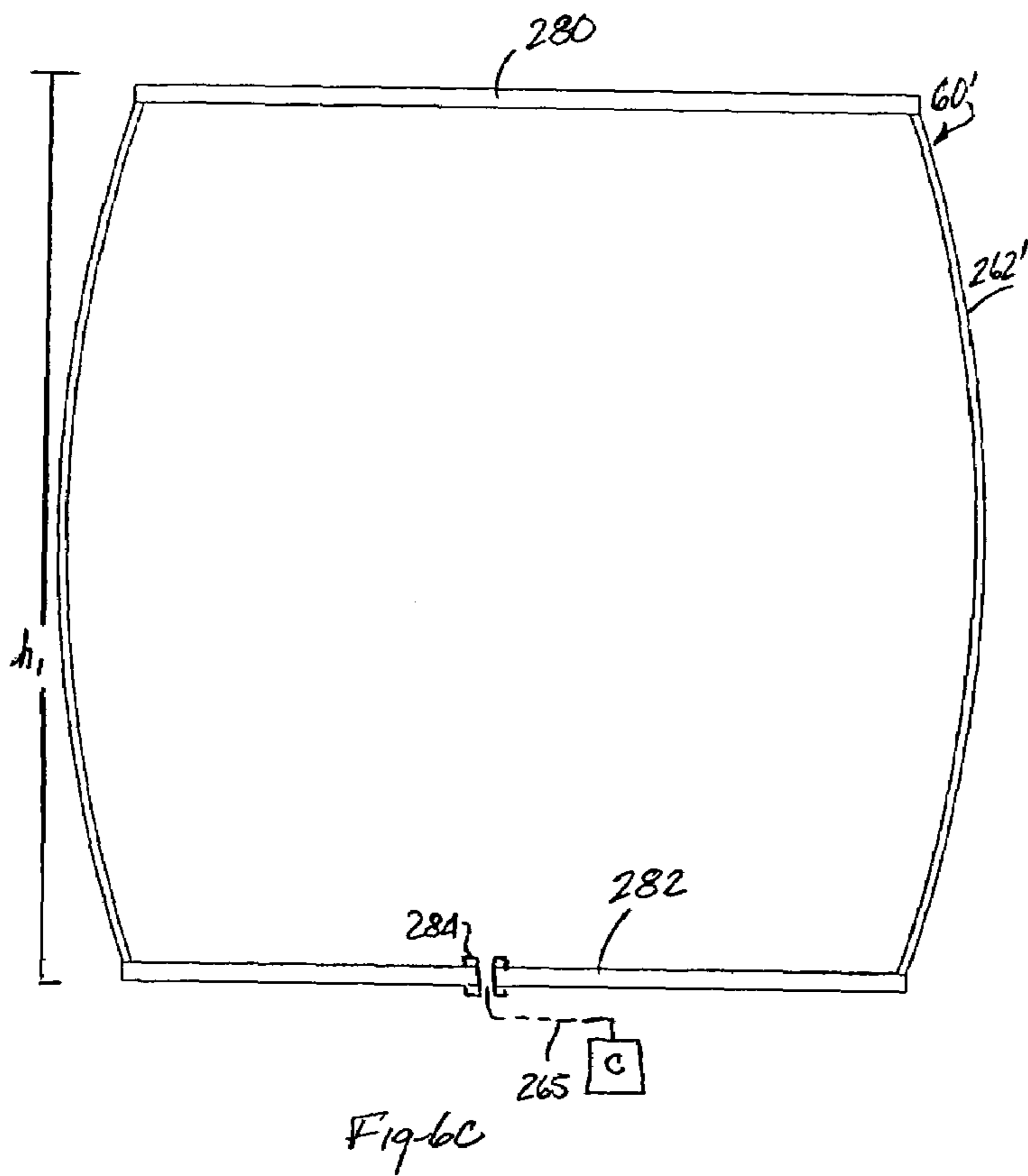
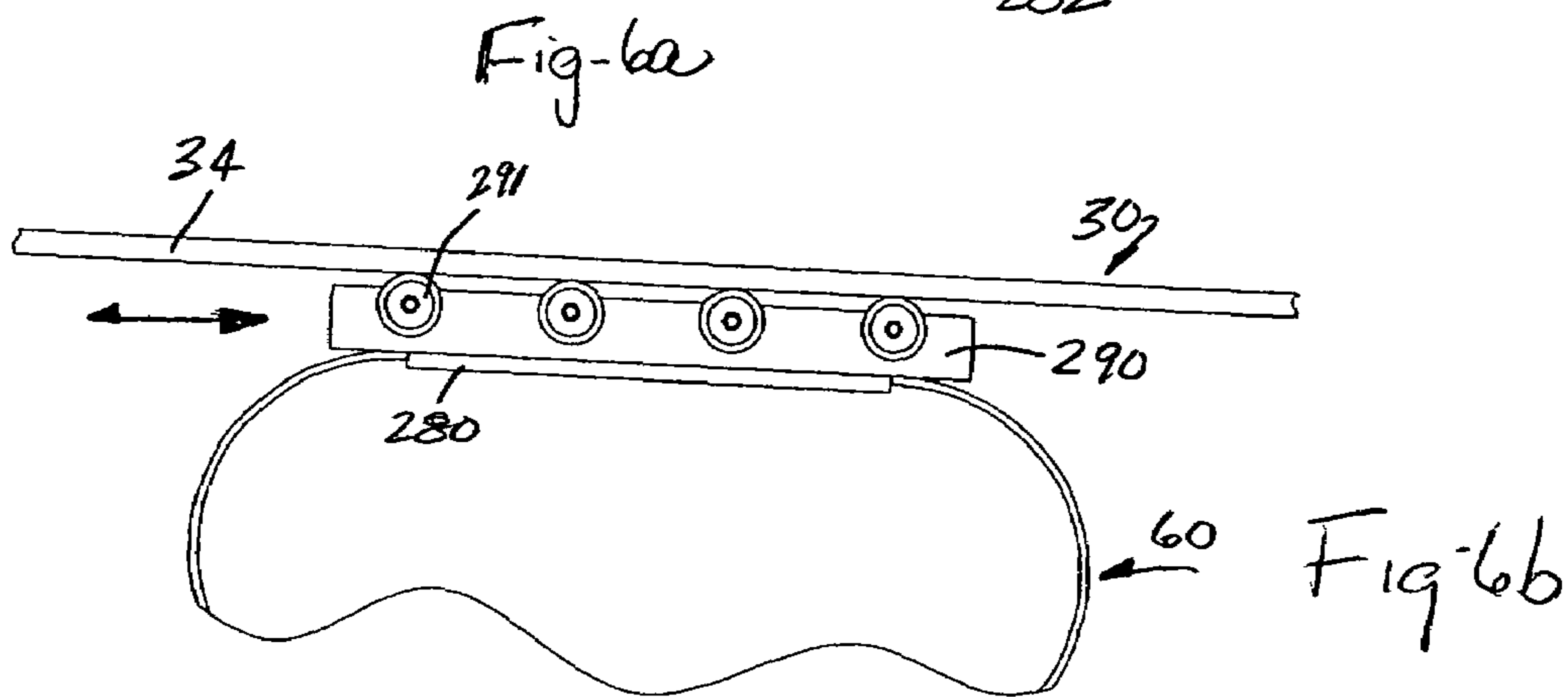
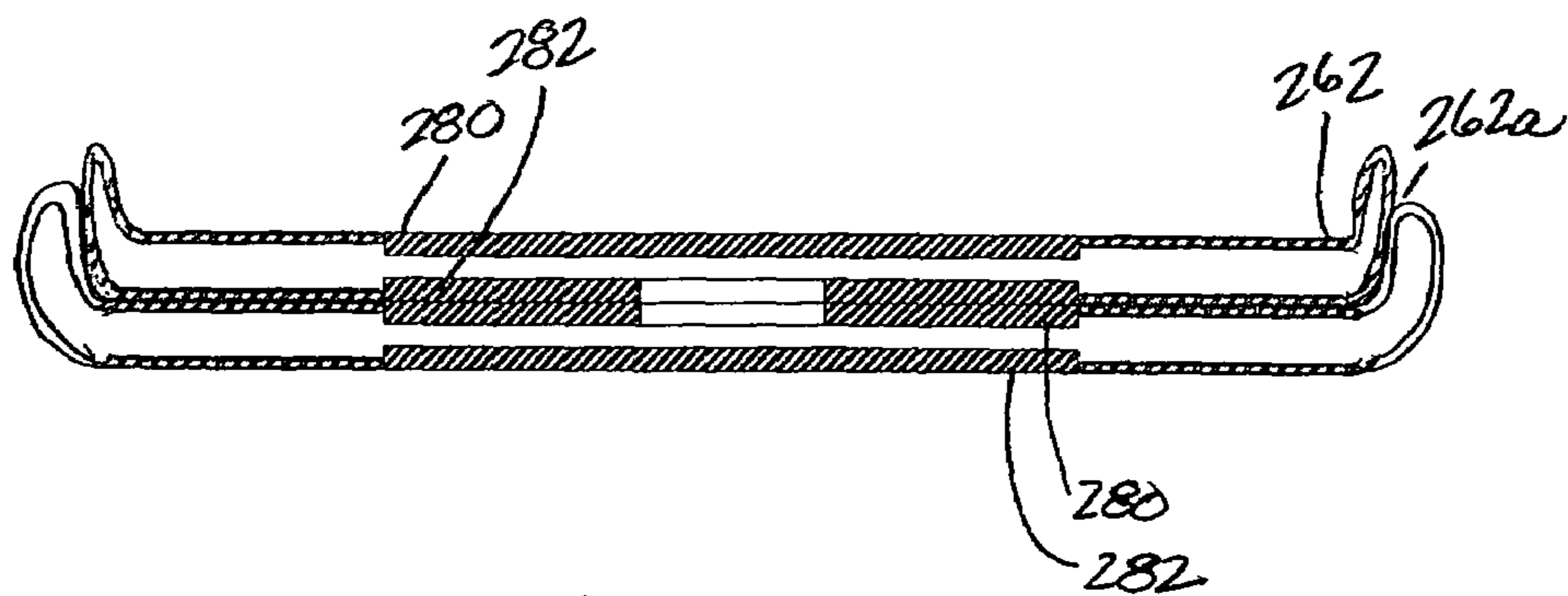
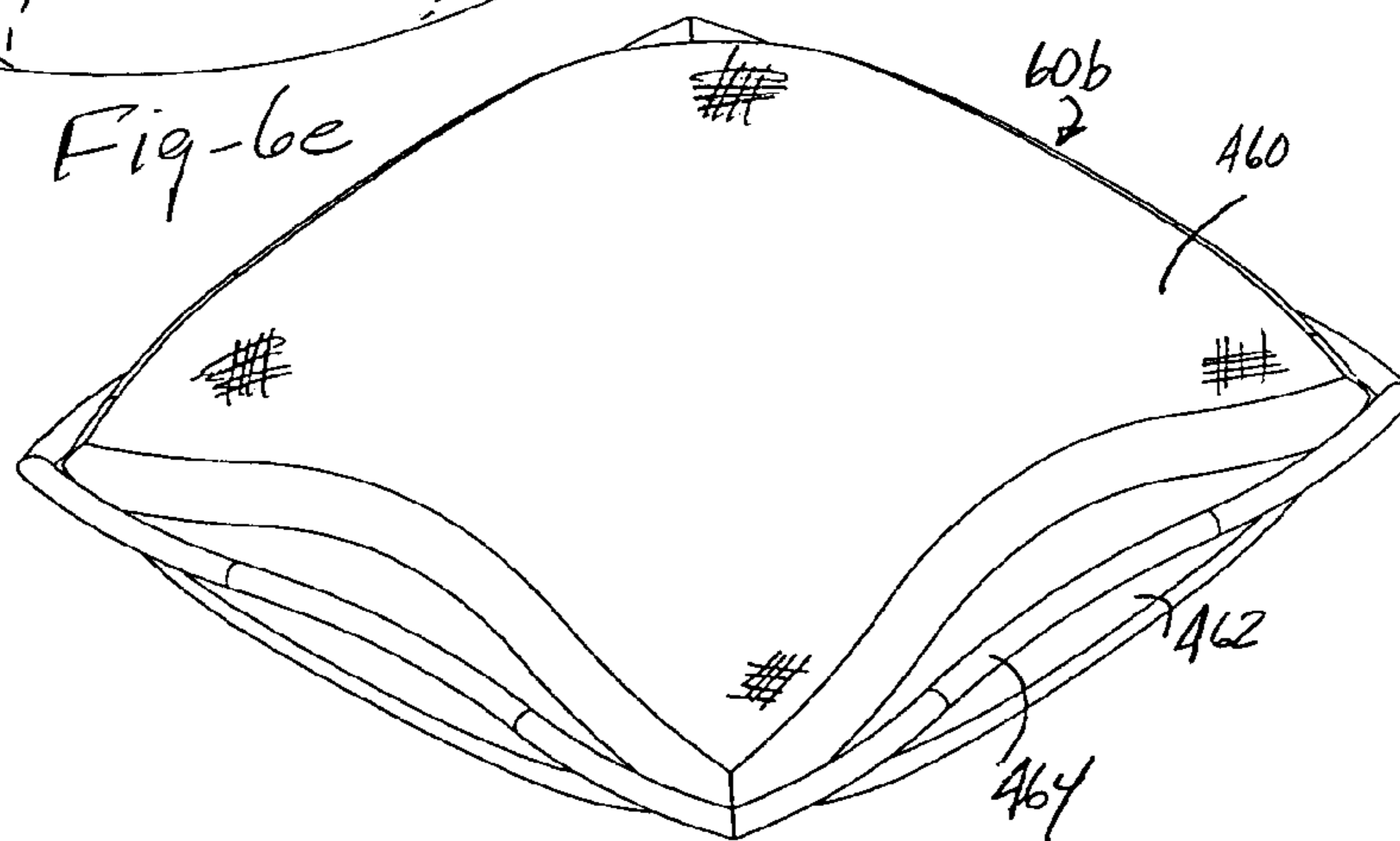
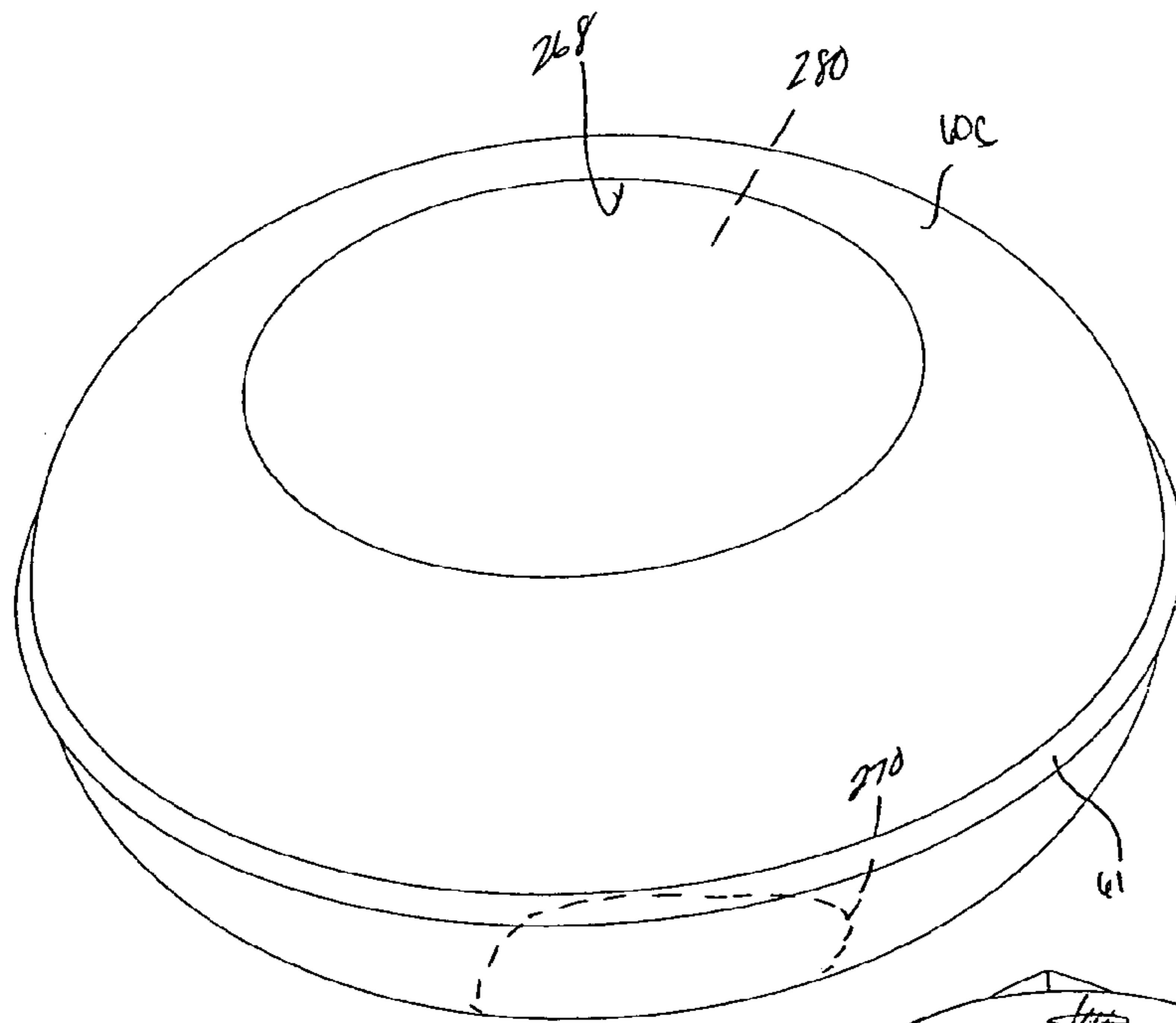
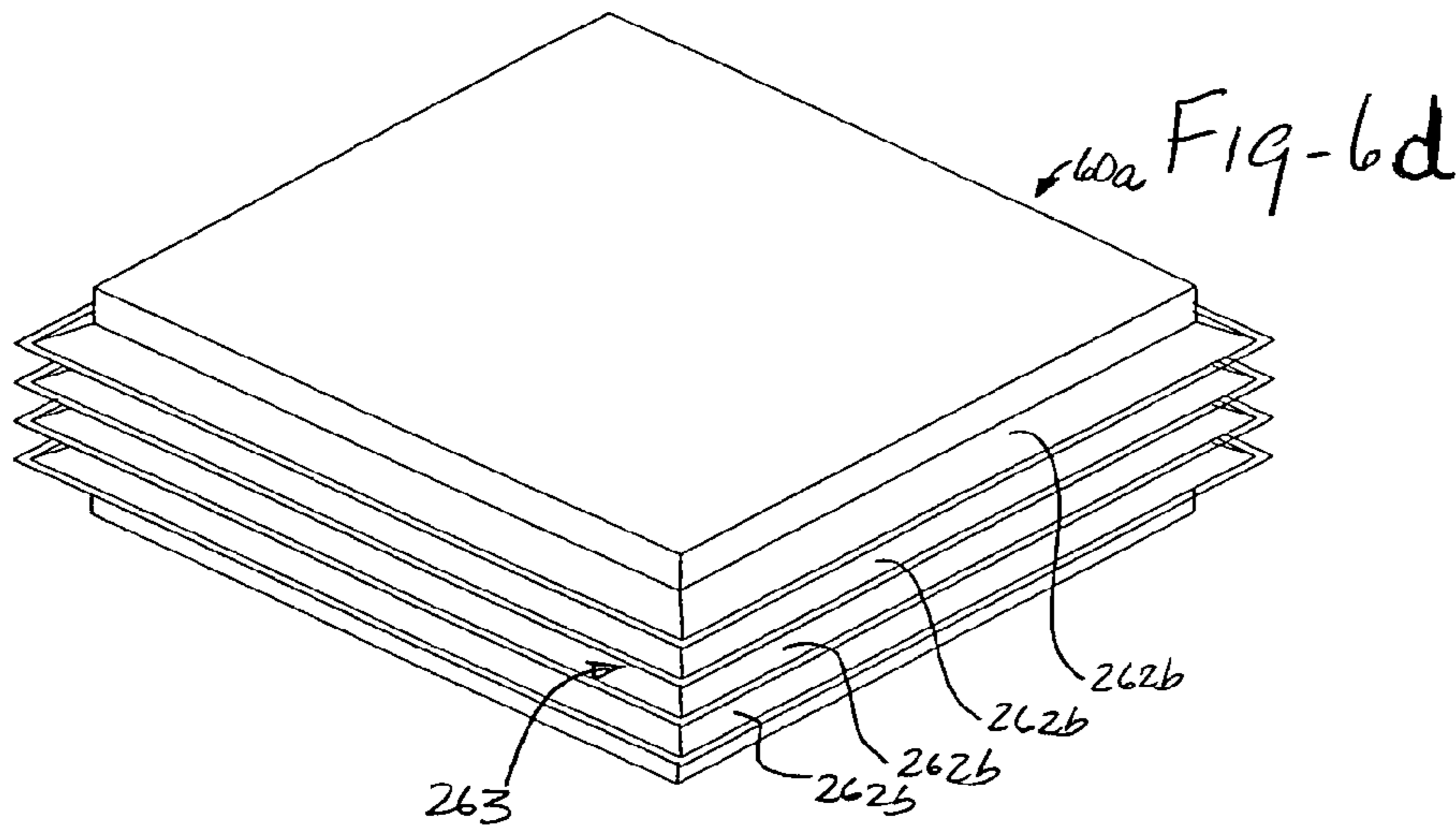


Fig-4







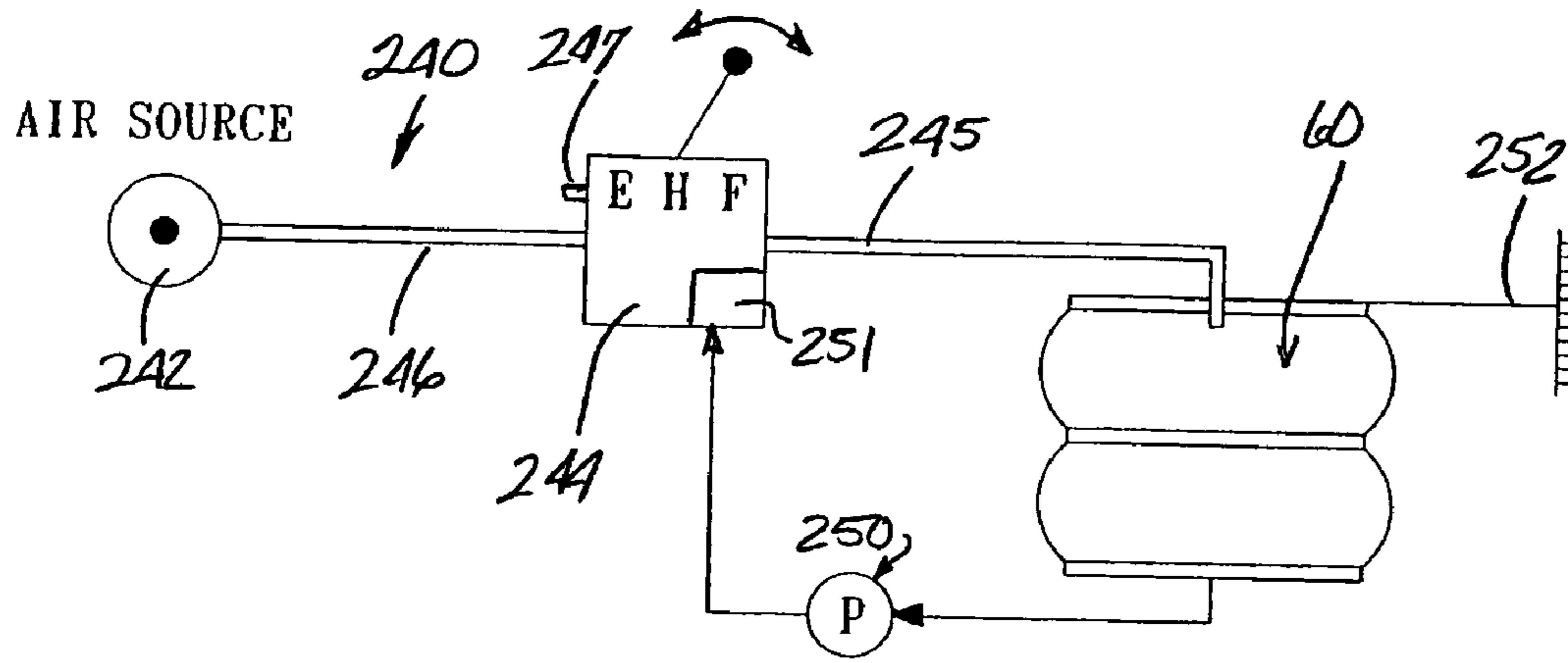


Fig-7

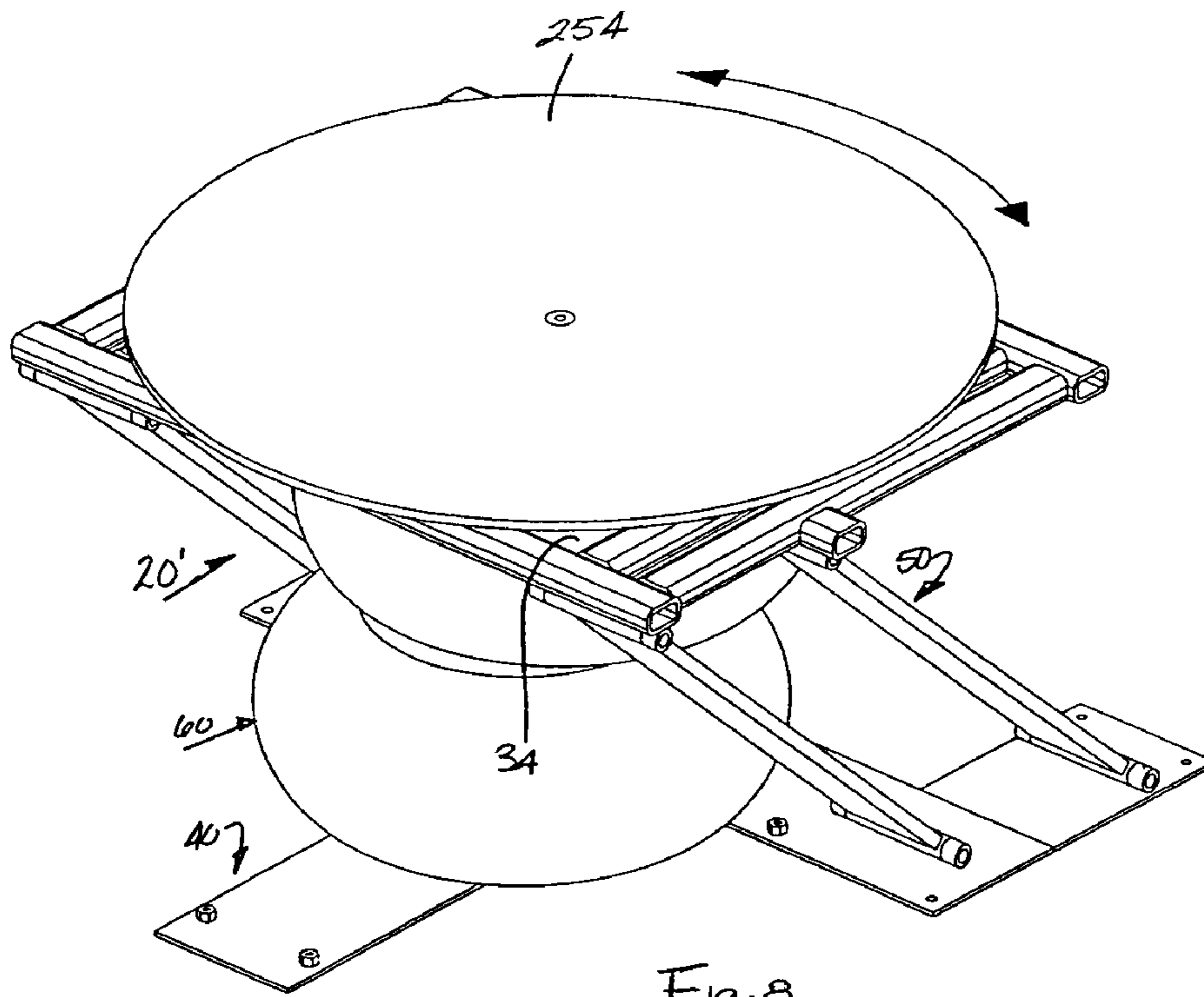


Fig-8

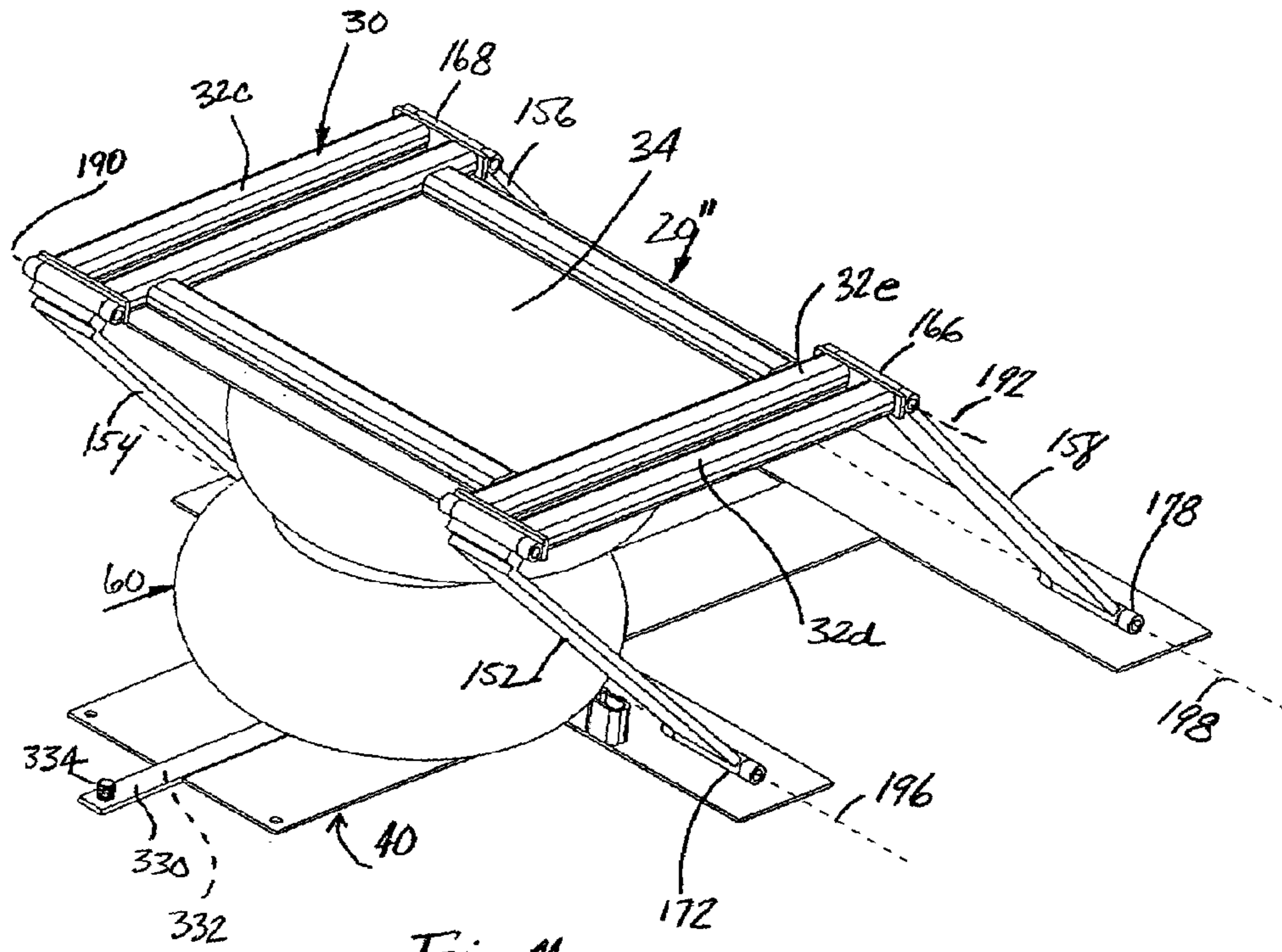


Fig-11

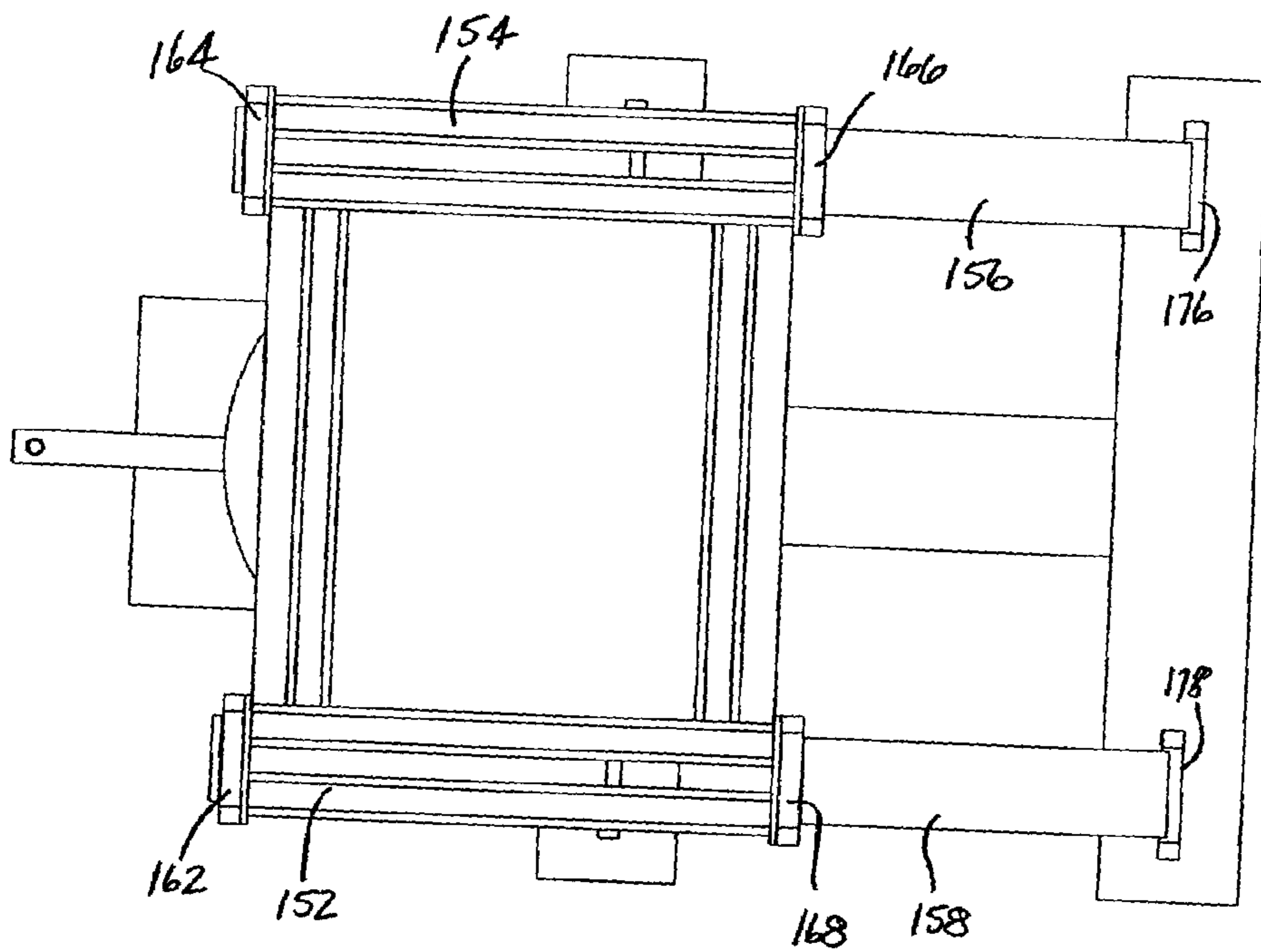


Fig-12

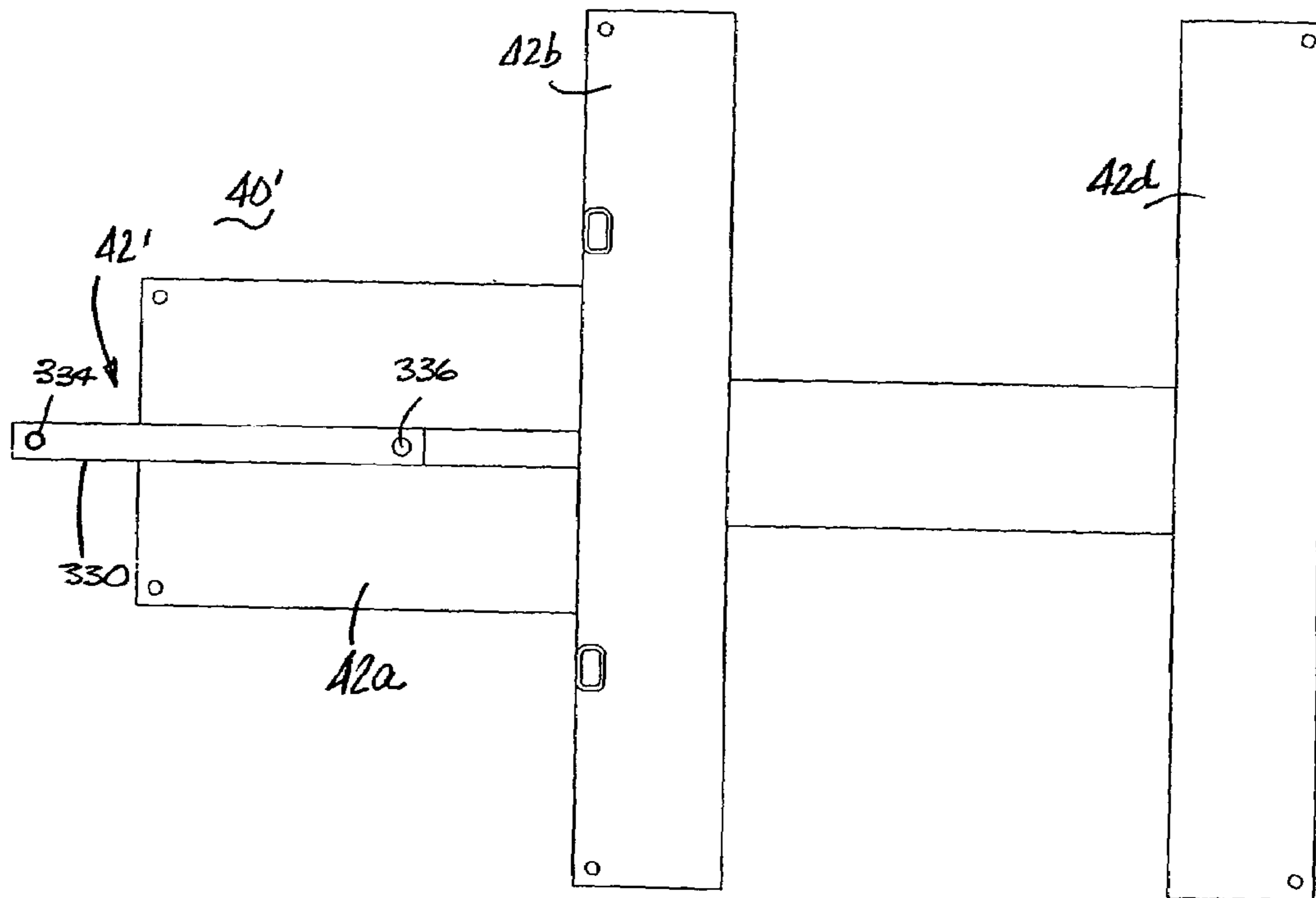


Fig-13

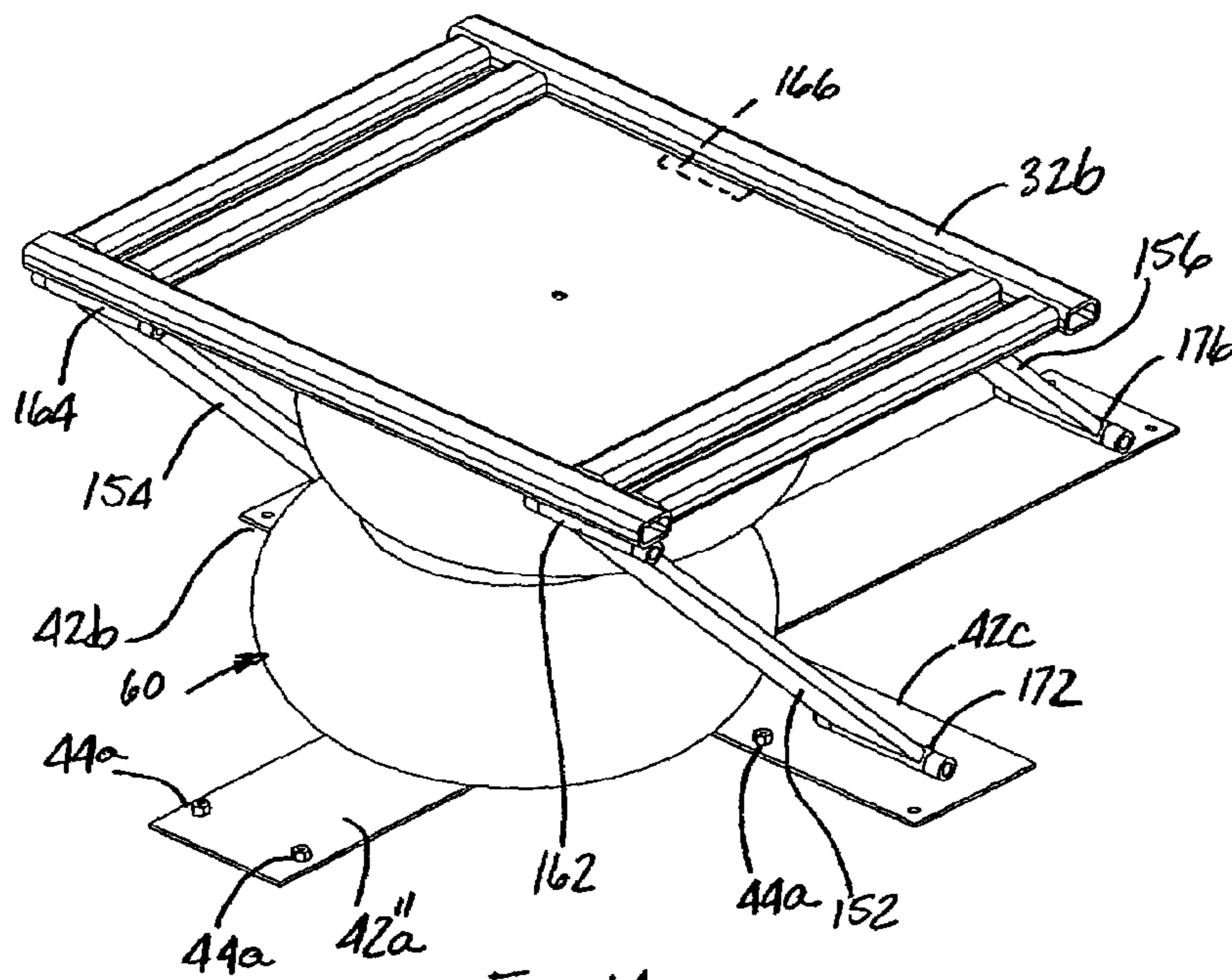


Fig 14

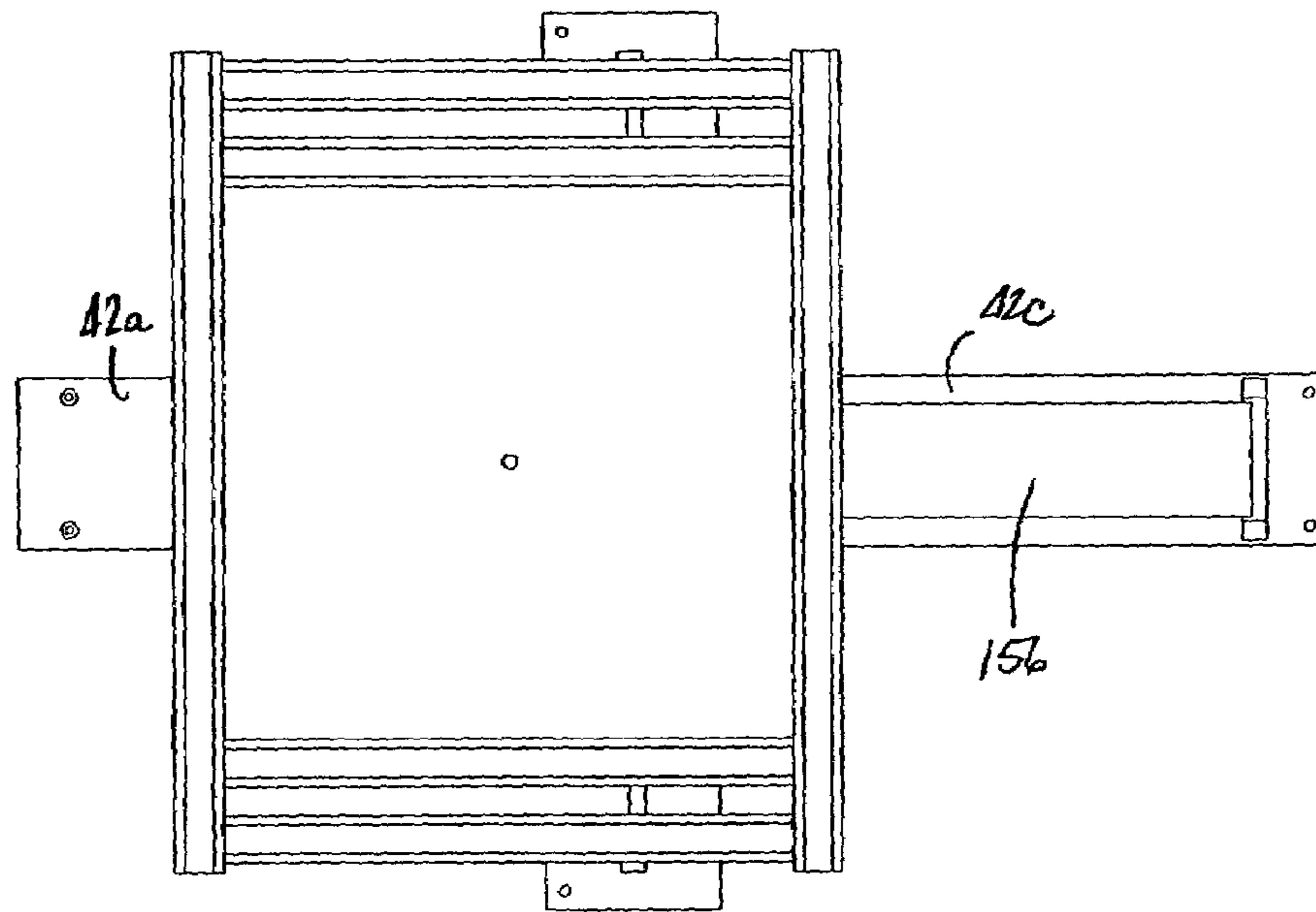


Fig-15

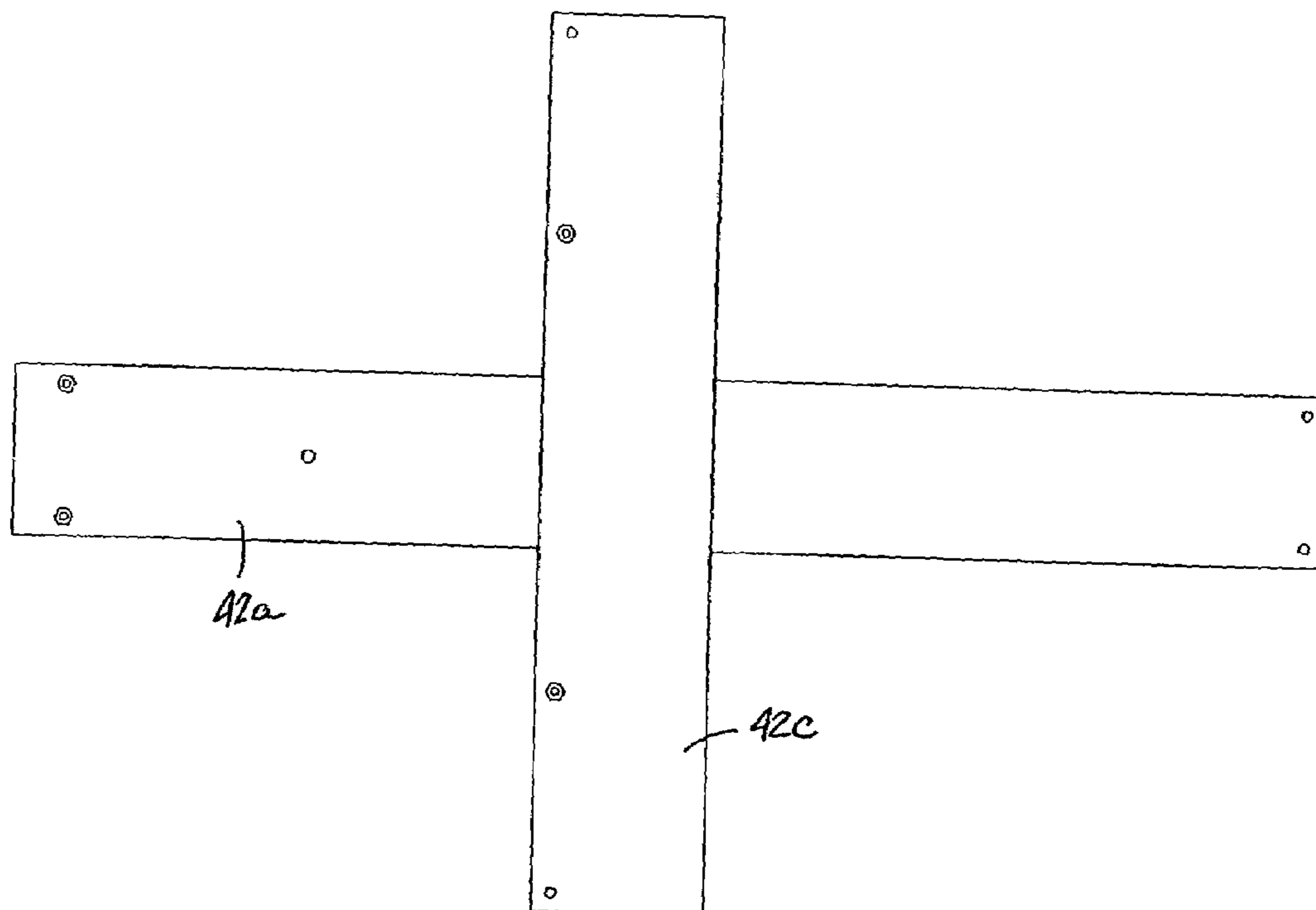


Fig-16

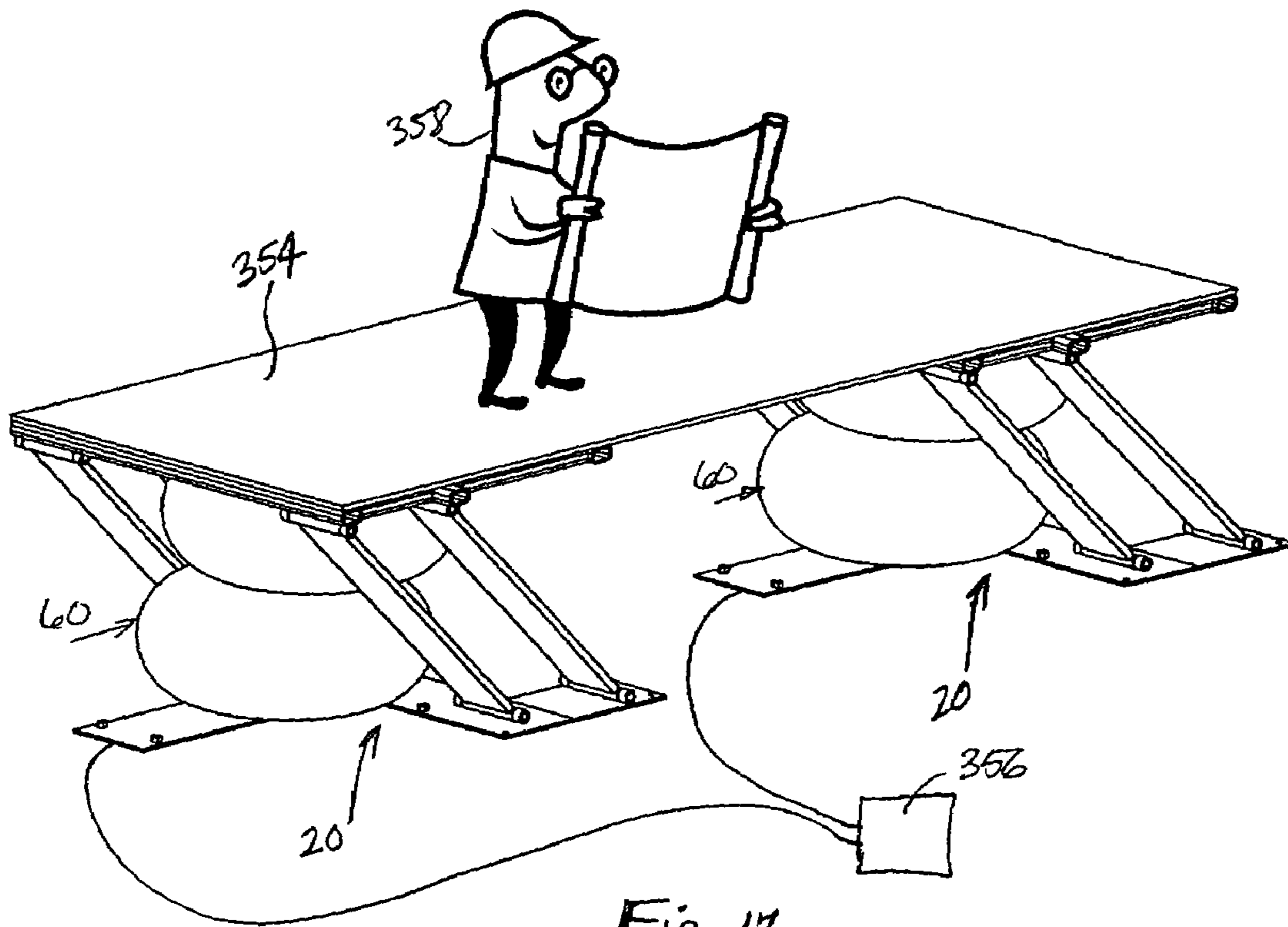


Fig-17

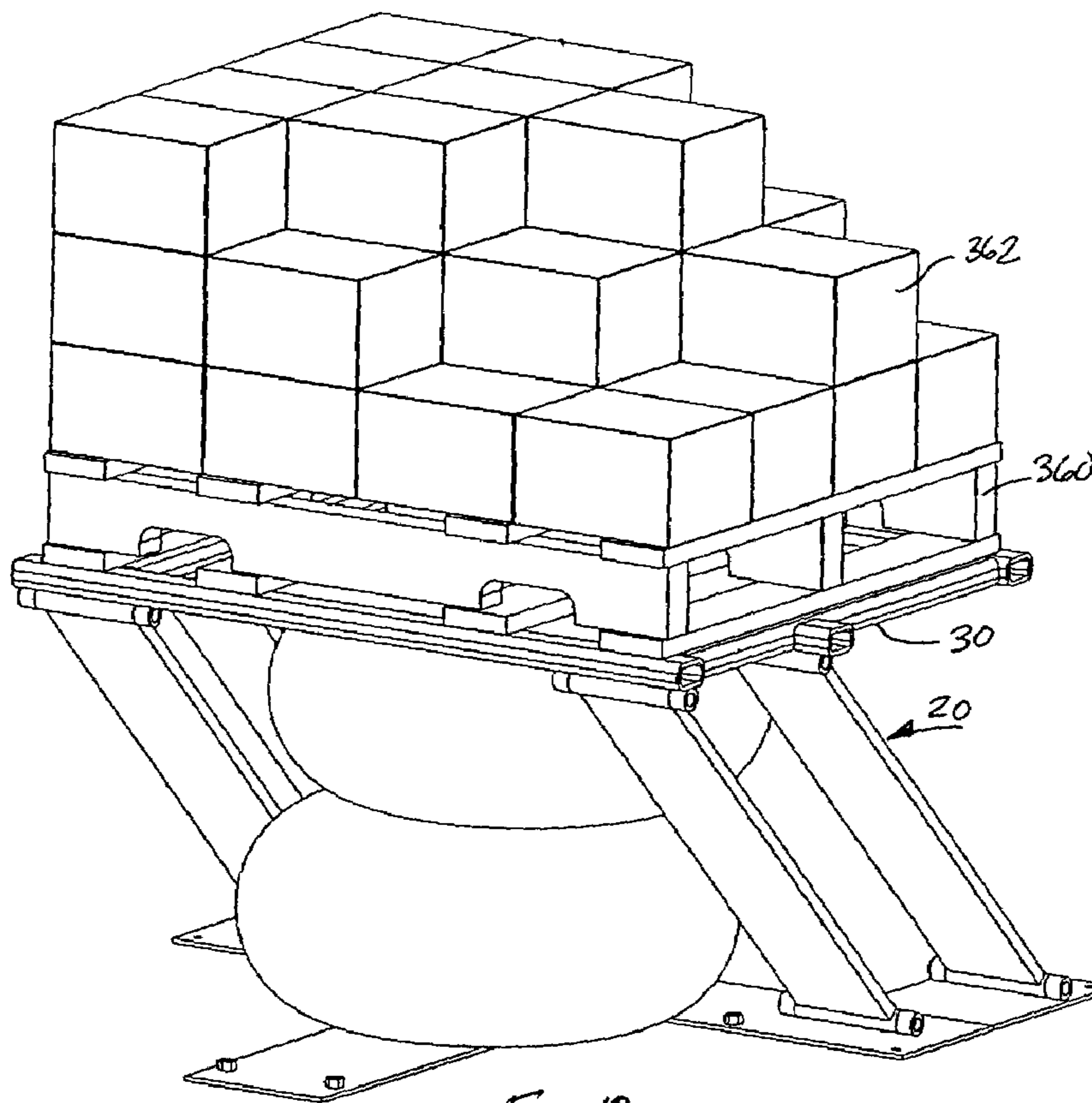
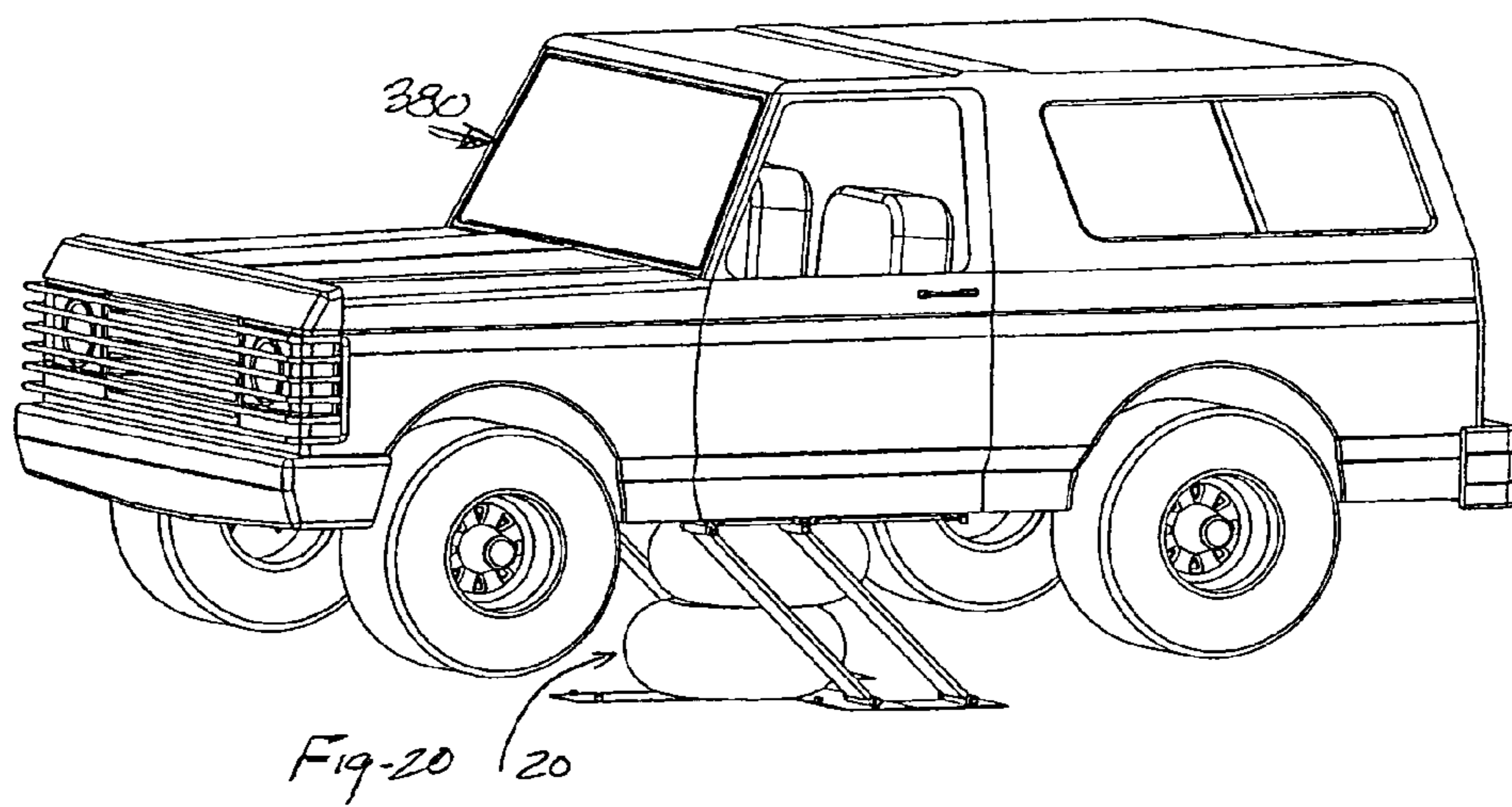
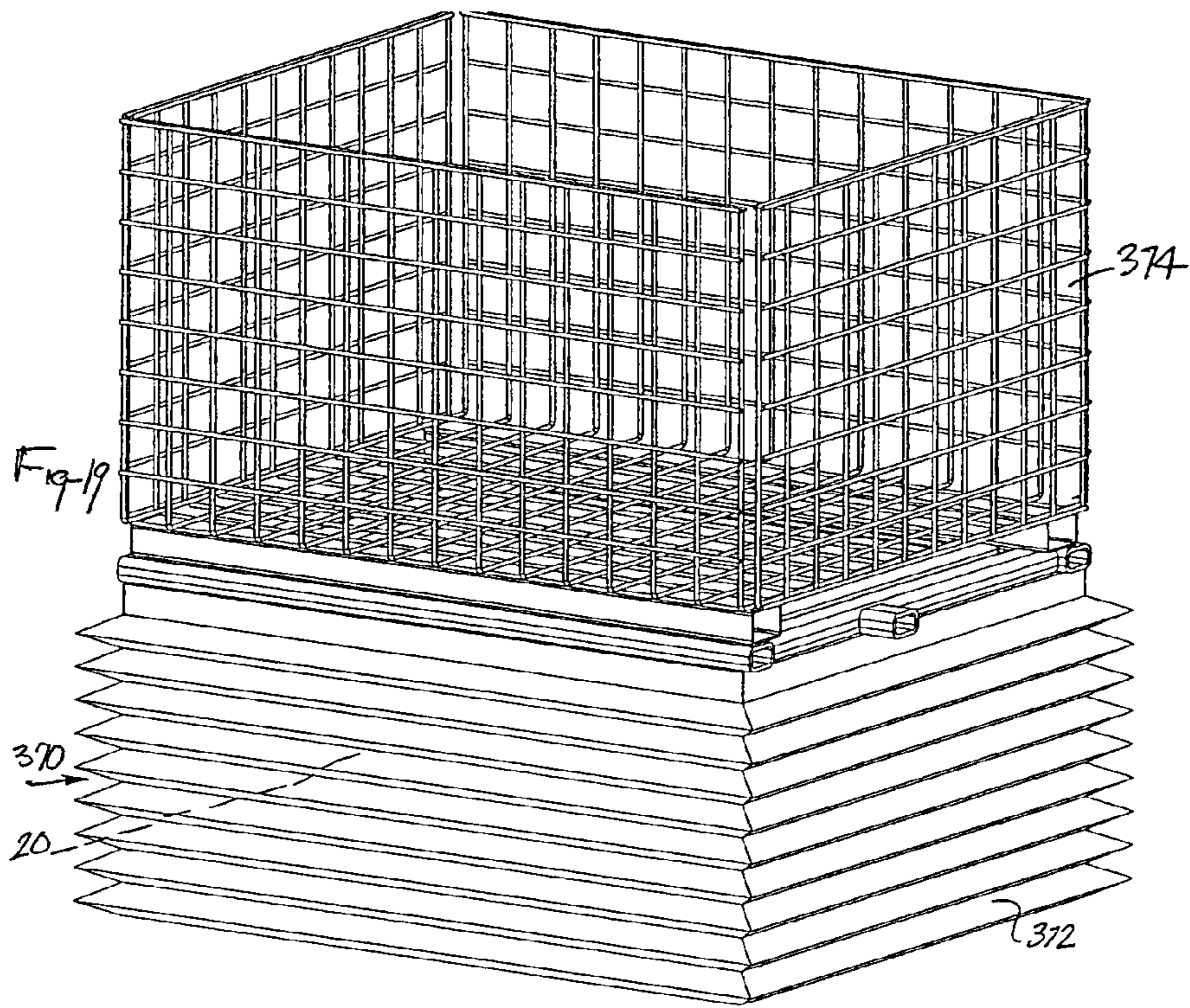


Fig-18



LOW PROFILE LIFT APPARATUS WITH ONE TO ONE DIRECT LIFTING RATIO

This application claims the benefit of U.S. Provisional Application 60/439,839, filed on Jan. 14, 2003. The disclosure of the above application is incorporated herein by reference.

BACKGROUND AND SUMMARY OF THE INVENTION

The present invention relates to a lifting apparatus and a more particularly to a lifting apparatus having a lift platform movable by a pneumatically inflatable spring, air bag, balloon, cushion, hydraulic cylinder, air cylinder or air bellows.

Lift platforms are used to raise and lower various items. In some cases the lift platform is used to lift a person(s) to a level which makes it easier for the person to perform his or her tasks. In other applications a part(s) or other object is placed on the lift platform and the lift platform raises or lowers the height of the part in relation to the operator. By moving the operator(s) or the part(s) to more ergonomic work locations, the efficiency of the operator is increased, the time to complete a given task is generally reduced, and operator's health is maintained by minimizing stress and strain of the human body during the job task.

The prior art shows many differently configured hydraulic and pneumatic lift mechanisms. One such lift is shown in U.S. Pat. No. 3,994,474 and includes two parallel-configured sides plates moved by an air spring (air bag). U.S. Pat. No. 6,286,812 shows another lifting platform which uses a scissors-type of linkage which is movable by an inflatable bag.

The present invention is configured to move the lift platform in an essentially parallel manner relative to the base without using scissors or folding linkages (as shown in the prior art) while employing a lift mechanism movable in a generally upward direction to minimize the force needed to lift an object, part or person. Experience has shown this approach also reduces the cost of the lift apparatus in relation to scissor lifting mechanism. The present invention utilizes a one-to-one direct, vertical lift ratio which provides an improved system. In the context of an air spring a one-to-one direct lifting ratio relates to the way in which the air spring dynamic load force vectors are applied during the lifting cycle such that for every unit of measure the lift platform raises during the lifting cycle the air spring travels the same unit of measure. The vertical loads are transferred directly through the air spring to the floor level or support structure.

One of the advantages of the present invention is the lift (and its components) can be lowered to an very low profile (and subsequently raised) which accommodates a wider range of operator statures to enable, where desired, to place the platform so the work piece is in the neutral posture range of the human body commonly referred to as the knuckle-to-elbow range.

One embodiment of the present invention uses a lift mechanism in the form of a parallelogram linkage which is moved by an air spring. The top of the air spring is fixed to the underside of the lift platform and by virtue of the flexibility of the air spring and the parallelism of the linkage, the air spring is able to follow the longitudinal movement of the platform.

It is an object of the present invention to provide to a lift platform with improved ergonomically characteristics which permit an increase in operator efficiency and a decrease in operator injury.

Accordingly the invention comprises: a lifting apparatus comprising: one of a mobile or stationary base; a lift platform having a geometric first center, the lift platform movable relative to the base from a lowered position to an upper position; a linkage or linkage mechanism interconnecting the base and the lift platform for guiding the lift platform to remain in a generally mutually parallel relationship with the base. The base, lift platform and linkage are configured so that when the lift platform in its lowered position the center of the lift platform intersects the base at a first point and with the lift platform in its upper position the center intersects the base at a second point which is longitudinally off-set from the first point. The lifting apparatus also includes a fluid (in general liquid or pneumatic) spring operatively mounted between the lift platform and the base, for controllably lifting and lowering the lift platform. Single and multi-chambered air springs are described as well as two, three and four bar linkage mechanisms and various control mechanisms are provided to control the movement of the lift platform.

Many other objects and purposes of the invention will be clear from the following detailed description of the drawings.

BRIEF DESCRIPTION OF THE DRAWINGS

FIG. 1 is a side view of a lift apparatus in accordance with the present invention.

FIG. 1a shows a lift platform of the present invention in a lower position than shown in FIG. 1.

FIG. 1b shows an alternate embodiment of the invention with a movable base structure.

FIG. 2 illustrates an isometric view of the lift apparatus of FIG. 1.

FIG. 3 is a top plan view of a lift apparatus.

FIG. 4 is a diagrammatic top view of a base support structure.

FIG. 5 shows an exemplary hinge configuration.

FIG. 6 is a cross-sectional view of an inflatable device using two air springs.

FIG. 6a shows a deflated air spring device.

FIG. 6b shows an air spring with wheel slide connection to the platform.

FIG. 6c shows an alternate embodiment of the present invention.

FIG. 6d shows a square air bellows.

FIG. 6e shows a round air bellows, cloth, rubber or vinyl bag.

FIG. 6f shows an alternate pillow construction.

FIG. 7 diagrammatically shows an air control system.

FIG. 8 is a view of another embodiment of the invention with a rotary platform.

FIG. 9 shows a bushing or bearing for use with the embodiment of FIG. 8.

FIG. 10 is a side view of another embodiment of the invention with a tilt assembly.

FIGS. 11-13 show another embodiment of the invention.

FIGS. 14-16 show another embodiment of the invention.

FIGS. 17-20 show other embodiments of the invention for lifting humans, for lifting boxes, an embodiment using a protective skirting to prevent operator injury and other embodiment configured as an automotive lift

DETAILED DESCRIPTION OF THE DRAWINGS

The reference is made to FIGS. 1 through 5 which illustrate a first embodiment of the present invention. More particularly, the figures illustrate to a lift apparatus 20 comprising a lift platform 30, and a support structure 40 having a base 42. The lift platform 30 and the support structure 40 are connected by a linking or stabilizing mechanism (linkage) 50. To the lift platform 30 and the support structure 40 are also connected by a lift spring which in the preferred embodiment is an inflatable device 60 which moves the platform 30 and linking or stabilizing mechanism 50 relative to the structure 40.

In the preferred embodiment of the FIGS. 1-3 the lift platform 30 is made of a tubular steel (or steel plate) construction comprising a plurality of inter-connected tubes, bars or ribs to 30a to 30e. The tubes or ribs may be hollow or solid. Tubes, bars or ribs 32a and 32b are arranged in opposing pairs and form sides 132a and 132b of the platform 30. Tubes, bars or ribs 32c and 32b form opposite sides 132c and 132d of the platform 30. Optional tubes, bars or ribs 32e and 32f can be used to reinforce the tubes (bars or ribs) 32c and 32d. As can be seen the tubes (bars or ribs) 32a-f form an open support with an opening 33. The opening 33 can be closed by a plate 34 (or tubing or railing) which is secured to the bottom of the tubes. Those parts used to close or at least fill in the opening 33 can also be secured to the top of the tubes (bars or ribs) as well.

As can be appreciated the use of thin wall tubes (bars, ribs) will reduce the weight of the platform. Alternatively, the tubes or ribs can be replaced by a plate of appropriately material (such as steel, plastic, etc.). For example, a solid thickness of material or a plate of a honeycombed construction can be used.

The base 42 comprises a plurality of inter-connected flat plates 42a-42d. Alternatively a large size plate with cut-outs can be substituted to achieve a unitary construction. The plate or plates 42a-42d can be connected together such as by welding. FIG. 4 is an isolated view of the base 42 and plates 42a-d. The base 42 can be configured to be permanently mounted or mounted to a movable fixture 41 such as one having wheels or coasters 43 as shown in FIG. 1b in contrast to FIG. 1 which shows the base 42 secured to an adjacent floor 46. To achieve this mounting arrangement of FIG. 1, one or more the plates include a one or more openings 44 to receive a corresponding fastener 44a enabling the support structure 40 to be fastened (screwed, bolted, riveted) to the adjacent floor 46 (if desired). The fasteners 44a can be inserted through the openings 44 into the floor or alternatively the fasteners 44a can be pre-positioned to extend up from the floor 46 wherein the base 42 is placed about these pre-positioned fasteners. Another fastener such as a washer (not shown) is attached to the extending fastener thereby securing a corresponding plate to the floor. For example, a work object including a box which may include parts is positioned atop the platform 30.

The linkage or linkage mechanism 50 in the preferred embodiment comprises a plurality of bars 152-158 and top hinges 162, 164, 166 and 168 and bottom hinges 172, 174, 176 and 178 respectively configured as a parallelogram bar linkage. Other variants can be used with the present invention as illustrated in subsequent figures.

Reference is briefly made to FIG. 5 which illustrates an exemplary hinge 172 as well as the interconnection of bar 152, hinge 172 and the base 42. The relationship of the bars 152-158 to the top or upper hinges is the same or similar. The illustrated hinge/bar interconnection is relatively

straightforward. Each hinge such as 172 comprises a tubular member 180 (opening 181) adapted to be fixedly secured to the base 42 (or platform 30 as the case may be) and another interfitting tubular member 182, with opening, slot or passage 183, fixed to or made as a part of an end of a bar such as 152 and which rotates with the bar. The tubular members 180 and 182 can be fixed to the base and to the platform by welding or other known techniques. Each hinge such as 172 further includes a pin 184 that interconnects the hinge parts 180 and 182 and provides a hinge or pivot axis and which fits within opening, slot or passage 143.

Reference is again made to FIGS. 1 and 2 which show axes 190, 192 and 194. Axis 190 runs along the underside of the platform 30 and defines the location of the upper hinges 162 and 164 which are located at outboard corners of the platform along axis 190. Axis 192 is displaced a distance d_1 away from axis 190 in a direction toward axis 194. Axis 194 extends through the geometric center of the lift platform 30. Hinges 166 and 168 are located on axis 194 at sides 132c and 132d of the platform 30. Hinge 166 is secured to the bottom of tubes 32c and 32f while hinge 168 is secured to the bottom of tubes 32d and 32e. To accommodate the length of both hinge parts 180 the platform may include shortened lengths of tubing 32g and 32h to which the upper hinges 166 and 168 are also secured.

FIG. 1 shows the lift platform 30 at its extended height h_1 . This orientation is useful in defining the location of the lower hinges 176 and 178 on the base. A lower hinge axis 196 (for hinges 172 and 174) is located in the base a distance d_2 away from and parallel to axis 190. A second lower hinge axis 198 (for hinges 176 and 178) is located in the base a distance d_1 behind and parallel to axis 196.

The bars 152-158 and hinge locations, in the preferred embodiment, are configured to minimize floor space as the lift platform 30 is raised and lowered as well as to provide and improved mechanical advantage.

As mentioned above the apparatus 20 also includes a lift spring such as an inflatable lift device or mechanism 60. FIG. 6 shows further details of the one such lifting device. In the preferred embodiment the lift device 60 includes a plurality of interconnected inflatable springs 262, 262a. One such spring is made by Herkules Hebeteknik GmbH as part number 300-001. Each air spring can be made from a generally non-permeable material including an elastomer such as molded rubber, extruded film or sewn-together fabric or reinforced fabric construction depending on the environment and size of the objects to be placed on the lift. Each spring 262, 262a includes a flexible side part formed as an, elastomeric ring 264 having a cylindrically shaped, flexible wall 266. The wall is configured to include an upper opening 268 and a lower opening 270. Each spring includes an upper, circular mounting plate 280 sealed in a fluid tight manner to the wall 266 (ring 262) about the upper opening 268. A lower, circular mounting plate 282 is also sealed in a fluid tight manner to the wall 266 at the lower opening 270.

As illustrated in FIG. 6 the present invention uses two interconnected springs 262 and 262a (configurations with more than two interconnected air springs are within the contemplation of the invention). The lower plate 282 of upper spring 262 and the upper plate 280 of the lower spring 262a each include an aligned opening 286 with interior threads. A, hollow, threaded the fastener 284 (having threads 284a) is received through the aligned openings 286 and secures the above plates together. The lower plate 282 of spring 262a can be secured to the base 42 in a similar way

5

with another fastener **284a'** of similar construction. Each fastener includes a central passage **284b** to permit air flow therethrough.

In the preferred embodiment the diameter D_s of the inflated spring **262** is about 640 mm and the inflated height H_s is about 69 mm. The lowered height of the spring, at zero pressure is about 69 mm.

The diameter D_m of the mounted plated **280** and **282** are about 510 mm. With these dimensions it has been found that the two inflatable springs **262** and **262a**, when compressed and deflated will nest into one another as illustrated in FIG. **6a**. One of the benefits of being able to nest the springs **262** and **262a** is the platform can be lowered to about 100 mm cm above the base **42**. FIG. **6** schematically shows a source of compressed air **C**, connected to the opening **284b** in the lower of the fasteners **284'** located through the base **42** (and lower plate **282**). The air supply connection can be by way of discrete pressure lines **265** (flexible or stiff or solid) or for example of a pressure line or passage integrally formed in the base **42**. FIG. **6** shows, in phantom line, an alternate connection of pressure line **265** communicating the source of pressure gas or fluid) **C** to the upper plate of air spring **262**. As can be appreciated, pressurized fluid can be communicated to and through the wall of the spring **260** or **262a** as schematically illustrated in phantom line by air connector **285**.

Reference is made to FIG. **1a** which shows the platform **30** in a lowered condition. FIG. **1a** also superimposes, in phantom line, the platform **30** (with some of the bars) in a raised condition for purpose of comparison. FIG. **1a** shows a portion of spring **60** in its lowered or compressed configuration and FIG. **6a** shows a cross-sectional view of the compressed spring **60**.

The center of the upper plate **280** of spring **262** is located so its geometric center is below the geometric center of the platform **30** as defined by axis **194**. In one embodiment of the invention the upper spring **262** is physically connected to the platform **30** (including being connected to plate **34**) by bolting the plate **34** and the upper plate **280** together. It is also within the scope of the present invention that plate **280** of the upper spring **280** and the platform **30** and more particular the plate **34** are relatively movable one to the other. This can be achieved simply by permitting the upper plate **280** to press upwardly (devoid of a bolted or other fixed securement) on the lower surface of plate **34** and as the platform moves (vertically and longitudinally as defined by the linkage **50**) the plate **34** and the spring plate **280** will slide, in a longitudinal direction (for example front-to-back) relative to one another. FIG. **6b** shows a rudimentary wheel slide assembly **300** comprising a frame **290** and plurality of support wheels **291** fixed to plate **280** which slidingly support plate **34** of the lift platform **30**.

Reference is made to point A of FIG. **1**. Point A is used to define the location of the lower spring **262a**. Point A is achieved conceptually by permitting the linkage **50** to completely rotated counter-clockwise which will effectively place the platform **30** on top of the support structure **40**. In this position upper hinges **162** and **164** (as well as the entire platform **30**) will move along an arc, see line **267**, (defined by the length of bars **152** and **154** (the length of all of the bars is the same). Point A is essentially the intersection of the upper hinges with the structure **40**. Distance d_3 is the linear distance between point A and the lower hinge **178** (or **176**) location. The lower spring **262a**, that is, the center of the lower plate **282** of spring **262a**, is located left-to-right generally about one-half the distance d_3 and centered later-

6

ally below the upper spring **262** (see FIG. **6**). Point B as well as axis **220** show the center of the lower spring **262a**.

Reference is made to phantom line **230** which traces the trajectory (as visible in a side view) of the center of the lift platform **30**, as can be appreciated as the lift platform **30** and the linkage **50** move up and down the center of the lift platform will follow this arc (which defines the longitudinal motion of the platform). If the top of the inflatable device **60** is hard-mounted to the platform **30** and the bottom of the inflatable device is also hard mounted to the support structure **40**, the lift apparatus **60** must be sufficiently flexible so it can follow the relative movement of the lift platform **30**. This relative movement of the inflatable device **60**, in the preferred embodiment, is accomplished by using the low profile design of the Herkules air springs **262** and **262a**. The relative movement can be accomplished with one air spring (see FIG. **6c**) or a stack or plurality of springs (see FIG. **6d**) or single cell springs shown in FIGS. **6e** and **6f**. This flexibility of the device **60** also assures the resultant upward force vector produced by the inflatable device **60** always acts vertically on the platform as well as acts on the platform providing an increased mechanical efficiency and direct one-to-one lift ratio.

Reference is briefly made to FIG. **6c** which diagrammatically shows an inflatable device **60'** comprising a single chambered, cylindrical air spring **262'**. The air spring **262'** also uses the mounting plates **280** and **282**. Lower plate **282** can be mounted to the base **42** (not shown) and to a source of compresses air **C**. Plate **280** would be mounted to the lift platform **30**. As shown in FIG. **6d**, the inflatable device **60a** can be configured as a bellows with a plurality of accordion folds **262b** formed along an exterior of the bellows such as along a rectangular side wall. FIG. **6e** shows another embodiment of a single, circular-annular air spring **60c** made in two halves of elastomeric material joined along a central or equatorial seam or bead **61**. The spring includes a respective opening **268** and **270** on its top and bottom for received of a respective upper and lower plate **280** and or **282**.

FIG. **6f** shows another embodiment of the invention. In this embodiment the air spring **60b** which includes two facing panels **460** and **462** of reinforced material joined sewn or bonded at a non-permeable seam **464**. Such material can for example be a) a plastic film or b) woven fabric covered with a non-permeable coated such as silicon, neoprene or the like.

Reference is made to FIG. **7** which diagrammatically shows a control system such as a manually controlled fluid valve **240** for inflating and deflating the device **60** (springs **262**, **262a**, **262'**). The control system **240** includes a source of pressurized or compressed gas **242** which is communicated to a manually controllable air valve **244** via an air line **246**. The valve **244** is communicated to an inlet of the lift device **60** through another air line **245** (in one of the ways mentioned above). The valve **244** is movable between positions corresponding to Fill (F), Hold (H), and Exhaust (E). With the valve **244** placed in the Fill position pressured air is received by the inflatable device **60** through air line **245** and the lift platform will be lifted to a new work position. When the operator has moved the platform to the new work position, the valve is moved to its Hold position in which the air pressure in the device **60** is maintained. The lift platform can be lowered if the valve **244** is moved to the Exhaust position which enables the inflation air within the device **60** to be released through exhaust port **247** and the platform lowered. A more sophisticated air control system can be achieved by adding a pressure sensor **250** which is

connected in a closed loop manner (through a closed loop controller **251** in a known manner) can automatically control the internal pressure within the device **60**. The controller **251** is diagrammatically shown in FIG. 7. Similarly, a height or position sensor **252** can be added in a closed loop manner and enables the lift platform to maintain a determinable height regardless of the loads placed on the lift platform **30**. In a control loop control system a command pressure or command position such as the height of the platform is input to the controller **251** and the achieved pressure and or height signal is fed back to the controller **251** to generate an error signal which controls the inflatable device.

Reference is made to FIGS. 8 and 9 which shows another alternate of the present invention. The apparatus **20'** of FIG. 8 is identical to apparatus **20** but includes an upper plate **254** which serves as a work table or upper platform. In the embodiment shown the dimension of plate **254** is about the same as lift platform **30** (or plate **34**, if used, however, plate **254** can be over-sized extending considerably beyond the dimensions of the lift platform **30**. FIG. 9 shows an exemplary rotary bearing or bushing **256** rotatably connecting the plates **254** and **34**. In this embodiment the plate or platform **254** can be manually rotated by the operator to place items thereon to a more convenient or ergonomic working position.

Reference is made to FIG. 10 which illustrates an alternate embodiment of the invention. This embodiment also includes an additional plate of such as plate **310**. Plate of **310** is attached to the lift apparatus **20** using one or more hinges **312**. Plate **310** additionally includes a crank mechanism **314** which can be manual or automatic. The manual mechanism includes a crank handle **316** connected through a transmission **315** to a rotatable rod **317**. Rotation of the rod **317** caused a block **322** to translate along the rod (in the manner of a worm gear mechanism). A rear support or link **318** (which extends from hinge **320**) is connected to the movable block **322**. As the handle crank is turned the plate **310** (in essence moves with block **322**) and rotates from a lower position shown by phantom line **310a** to a more up right position also shown in phantom line as **310b**, which may vary between 0 and 90 degrees. One of the benefits of this type of system is work pieces secured to the rotatable plate **310** can be moved to more ergonomic positions.

Reference is made to FIGS. 11–13 which show another embodiment of the invention. FIG. 11 is an isometric view of lift apparatus **20''**. FIG. 12 is a top view and FIG. 13 is a top view of the base **42'** of the support platform **40'**. The lift apparatus **20''** incorporates many of the elements of apparatus **20**, the major difference being the relative placement of the bars **156**, **158**, upper hinges **166**, **168** and lower hinges **176**, **178**. Tubes, bars or ribs **32a** and **32b** are placed interior to the cross-bars **32e** and **32f** and the hinges **166** and **168** have been moved to the remote ends of tubes **32c,f** and **32e,d** respectively. Axis **192** is shown, as before extending between the upper hinges **166** and **168**. Axis **198** which defines the location of the complementary lower hinges **176** and **178** has been moved a like distance to maintaining the parallelism of the four bars **152**, **154**, **156** and **158**. As can be seen in FIG. 13 the base plates **42a–d** are arranged differently than in FIG. 4 but are still configured to be placed on the work floor. The fasteners **44a** can be placed in any or all of the various plates **42a–d**. FIG. 13 also shows a bar **330** which extends into the center of the lower air spring **262a**. The bar **330** is hollow and functions as high speed and secure air passage **332** comprising of a thin wall tubing with a rectangular cross-section. Numeral **334** illustrates an air fitting to which an air hose can be connected. Numeral the

336 (see FIG. 13) shows an exit port located beneath the air bag spring **262a** through which air is communicated to the air spring.

FIGS. 14–16 shown another variation of the present invention. The basic difference in comparison to the embodiment of FIG. 11 is that bar **158**, upper hinge **168** and lower hinge **178** have been removed and upper hinge **166** has been moved to the center of tube **32b**. Bar **156** and lower hinge **176** extend from the upper hinge to maintain the parallelism with the other bars **152** and **154**. The base **42a''** is made of fewer plates than is base **42'**. Hinge **176** is secured to a remote end of base plate **42a''**.

FIG. 17 shows yet another embodiment of the present invention. In this embodiment two identical lift mechanisms **20** (**20',20''**) are positioned relative to one another. A large rectangular platform **354** bridges the distance between the lift mechanisms **20**. Pneumatic air lines for each air spring **60** extend from a common pneumatic controller **356**. In this configuration platform **354** can be raised and lower in a horizontal configuration. In this embodiment in the platform **354** his raised and lower to move a worker **358** relative to his workstation (not shown).

FIG. 18 illustrates another embodiment which is usable with each of the lift mechanisms described above. In this embodiment a palette **360** has been positioned on the lift platform **30**. A plurality of boxes (generally stackable parts **362**) are stacked upon the palette **360** and movable vertically.

FIG. 19 shows another variant of the present invention. In this embodiment a protective housing is generally shown as **370** located about any of the lift mechanism **20**, **20'**, etc discussed above. The housing includes with a flexible bellows shaped skirting **372** formed with a plurality of accordion pleats. The skirting moves up and down with the movement of the lift mechanism. For the purpose of illustration, to show the usefulness of the present invention an open wire frame storage box **374** has been placed upon the lift mechanism.

FIG. 20 illustrates a lift mechanism **20** positioned below a vehicle **380**. The lift mechanism **20** is configured as a jacket or vertical hoist for this vehicle **380**.

Many changes and modifications in the above-described embodiment of the invention can, of course, be carried out without departing from the scope thereof. Accordingly, that scope is intended to be limited only by the scope of the appended claims.

The invention claimed is:

1. A lifting apparatus (**20**) comprising:
 - one of a mobile and stationary support structure or base (**40; 42**);
 - a lift platform (**30**) having a geometric first center (**32**), the lift platform movable relative to the base from a lowered position to an upper position;
 - a linkage (**50**) interconnecting the base and the lift platform for guiding the base and the lift platform to stay in a generally mutually parallel relationship as the lift platform moves relative to the base;
 - lift means, operatively mounted between the lift platform and the base, for controllably lifting and lowering the lift platform between the lowered and upper position, the lift means comprising a pneumatically inflatable device (**60**) having at least a first or lower member lower and an adjacent and operatively connected second or upper member, the inflatable members configured to move vertically and horizontally relative to one another, and when in the lowered position the second or upper inflatable member is offset in a first

9

direction relative to the first or lower inflatable member, and when in the upper position, the second or upper inflatable member is offset from the first or lower inflatable member in an opposite direction.

2. The apparatus as defined in claim 1 wherein the inflatable device includes a top, having a top center, and a bottom, having a bottom center, wherein when the lift platform is lowered an axis extending through the top and bottom centers is off-set in one direction and with the lift platform in a raised condition the axis is off-set in an opposite longitudinal direction.

3. The apparatus as defined in claim 1 wherein the pneumatically inflatable device includes an inflatable toroidally shaped first member (262a) and an inflatable toroidally shaped second member (262) mounted in fluid communication with the first member.

4. The apparatus as defined in claim 3 wherein the toroidal first and second members are configured so that when they are uninflated at least a portion of the second member fits within the first member while another portion of the second member extends beyond the first member, in the direction of the off-set and when the members are inflated, the second member is positioned atop the first member.

5. The apparatus as defined in claim 3 wherein a bottom (282) of the first member (262a) is secured to the base (42) and wherein a top (280) of the second member (262) is one of fixedly and slidably secured to the lift platform (30).

6. The apparatus as define in claim 3 wherein an axis which extends through the center of the inflatable second member is coincident with the first center of the lift platform.

7. The apparatus as define in claim 3 wherein an axis which extends through the center of the inflatable first member is longitudinally off-set relative to the second point.

8. The apparatus as defined in claim 1 wherein the linkage (50), which guides the lift platform (50) relative to the base, includes a plurality of bars (152-158) each of which are rotatably mounted relative to the base and the lift platform and configured to operate in the manner of a parallelogram linkage.

9. The apparatus as defined in claim 8 wherein
a first bar extends from an upper first hinge located near a first end of a first side of the lift platform to a lower first hinge on the base,
a second bar extends from an upper second hinge located near a second end of the first side of the lift platform to a lower second hinge on the base.

10. The apparatus as defined in claim 9 wherein the linkage further includes:

a third bar extending from an upper third hinge located in between the first end and third end of the lift platform to a lower third hinge on the base, the upper first and third hinges and the lower first and third hinges configured to lie in a predetermined plane.

11. The apparatus as defined in claim 9 wherein the inflatable device is located in between the first and the second bars.

12. The apparatus as defined in claim 9 wherein the inflatable device is located within a spaced defined by the range of movement of the first, second and third bars.

13. The apparatus as defined in claim 10 wherein the linkage further includes:

a fourth bar extending from an upper fourth hinge located in between the first end and fourth end of the lift platform to a lower fourth hinge on the base, the upper

10

second and fourth hinges and the lower second and fourth hinges configured to lay in a predetermined plane.

14. The apparatus as defined in claim 10 wherein the linkage further includes:

a third bar extending from an upper third hinge, located spaced from an axis joining the first and second upper hinges, to a lower third hinge on the base, the first second and third upper first and third hinges and the lower first and third hinges configured to lay in a predetermined plane.

15. A lifting apparatus comprising:

one of a mobile and stationary base;

a lift platform having a geometric first center, the lift platform movable relative to the base from a lowered position to an upper position;

a linkage interconnecting the base and the lift platform for guiding the base and the lift platform to stay in a generally mutually parallel relationship as the lift platform moves relative to the base;

a pneumatically inflatable device having a flexible and laterally displaceable side wall, the inflatable device configured so one of its top, side, axis and wall(s) is one of a) off-set in one direction from its bottom with the lift platform lowered and b) off-set in another direction with the lift platform raised.

16. The apparatus as defined in claim 15 wherein the inflatable device operates directly on the platform and the base.

17. The apparatus as defined in claim 15 wherein the pneumatically inflatable device includes only two inflatable portions, the first inflatable portion being a toroidally shaped first member and the second inflatable portion being a toroidally shaped second member mounted to the first member.

18. The apparatus as defined in claim 17 wherein the first and second members are configured so that when uninflated, at least a portion of the second member fits within the first member while another portion of the second member extends beyond the first member, in the direction of the off-set and when the members are inflated, the second member is positioned generally atop the first member.

19. The apparatus as defined in claim 17 wherein a bottom of the first member is secured to the base and wherein a top of the second member is one of fixedly and slidably secured to the lift platform.

20. The apparatus as defined in claim 15 wherein the linkage is configured as a parallelogram linkage and hinged to an underside of the lift platform.

21. The apparatus as defined in claim 15 wherein the linkage is configured as one of a two, three and four bar parallel configured linkage.

22. A lifting apparatus comprising:

one of a mobile and stationary base;

a lift platform movable relative to the base from a lowered position to an upper position;

a linkage interconnecting the base and the lift platform for guiding the base and the lift platform to stay in a generally mutually parallel relationship as the lift platform moves relative to the base;

an air spring mechanism mounted below the lift platform and to exert a force thereon to controllably raise and lower the platform between a lowered and a raised position, the air spring configured as an inflatable chamber formed by two inflatable members, an upper and a lower annular inflatable member operatively connected together, the upper and lower inflatable

11

members each configured to be in a deflated condition when the platform is in a lowered position with the upper member collapse and off-set in at least one dimension relative the lower member.

23. The apparatus as defined in claim **22** wherein the air spring includes a pneumatically inflatable device (**60**) having a flexible and laterally displaceable side wall(s) (**266**).

24. The apparatus as defined in claim **22** wherein the air spring means includes a pneumatically inflatable device having a laterally displaceable side wall which moves longitudinally in concert with the movement of the lift platform.

25. The apparatus as defined in claim **23** wherein the air spring device includes a top, having a top center, and a bottom, having a bottom center, wherein when the lift platform is lowered an axis extending through the top and bottom centers is off-set in one direction and with the lift platform in a raised condition the axis is off-set in an opposite longitudinal direction.

26. The apparatus as defined in claim **22** wherein the toroidal first and second members are configured so that

12

when they are uninflated at least a portion of the second member fits within the first member while another portion of the second member extends beyond the first member, in the direction of the off-set and when the members are inflated, the second member is positioned atop the first member.

27. The apparatus as defined in claim **8** wherein those bars that are rotationally mounted to the lift platform pivot about two spaced axes, and wherein each of the axes are off-set to a side of an axis that extends through the geometric center of the lift platform.

28. The apparatus as defined in claim **1** wherein the lift platform comprises a plurality of tubes configured to form opposing sides and opposing ends of the lift platform.

29. The apparatus as defined in claim **28** further including a plate positioned upon the tubes.

* * * * *