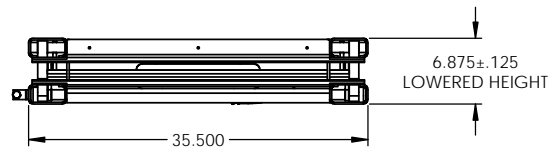
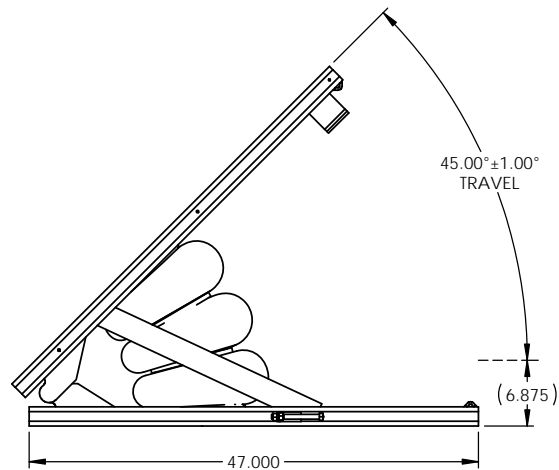
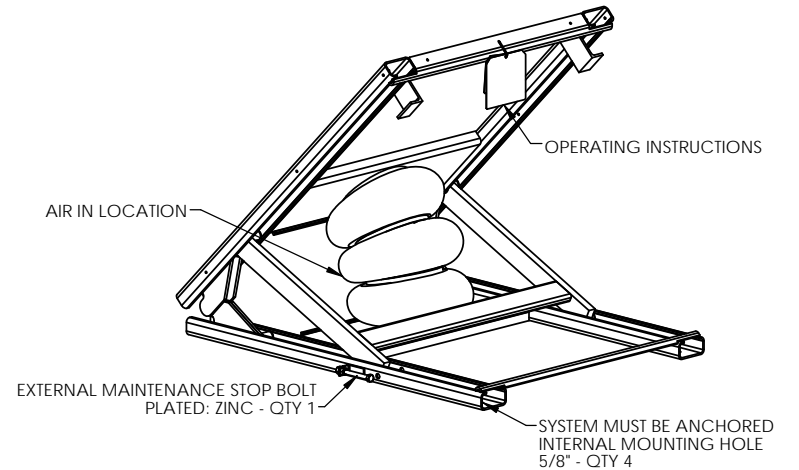
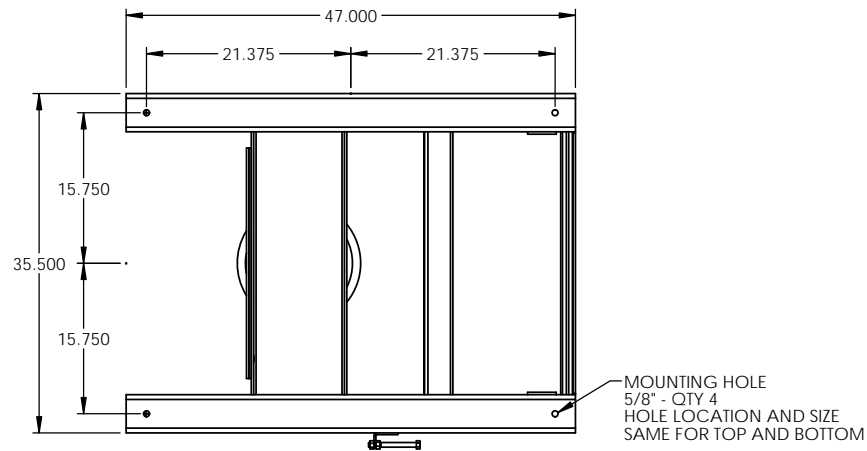


PART #: ATS07-XX-3647



**SPECIFICATIONS - STANDARD**

- CAPACITY: 1,000 - 3,000 LBS  
ALL LOADS MUST BE EVENLY DISTRIBUTED  
LIFT MAY NOT RAISE TO FULL HEIGHT  
WITH MAXIMUM CAPACITY LOAD
- CONTROLLER: OPTIONAL  
CONTROLLER MOUNT: OPTIONAL  
INTERNAL VALVE: INTERNAL FLOW CONTROL VALVE  
AIR FEED LINE: 1/2" MINIMUM  
AIR PRESSURE: 70 - 100 PSI  
CONTROLLER HOSE: 12 FEET  
SKIRT: OPTIONAL  
(ADD 3-1/2 INCHES PER SIDE TO BASE  
OF LIFT DIMENSIONS FOR SKIRTING)
- COLOR: TILT: HERKULES SAFETY ORANGE  
SCISSOR: HERKULES SAFETY WHITE
- SAFETY FEATURES: PRESSURE RELIEF VALVE - QTY 1  
CHECK VALVE - OPTIONAL  
EXTERNAL MAINTENANCE STOP BOLT - QTY 1  
280 LBS (APPROXIMATE)
- WEIGHT SHIPPED: 280 LBS (APPROXIMATE)

THE NEED FOR SAFETY DEVICES VARIES WITH EACH APPLICATION OF THIS PRODUCT THIS DRAWING MAY NOT INCLUDE ALL APPROPRIATE SAFETY DEVICES FOR YOUR APPLICATION.

NOTE: SOME DETAILS ARE NOT INCLUDED ON THIS DRAWING FOR MORE DETAILED SPECIFICATIONS, PLEASE INQUIRE

**PROPRIETARY**

THE INFORMATION CONTAINED ON THIS DRAWING IS PROPRIETARY. IT IS THE SOLE PROPERTY OF HERKULES EQUIPMENT CORPORATION. ANY REPRODUCTION IN PART OR AS A WHOLE WITHOUT THE WRITTEN PERMISSION OF HERKULES EQUIPMENT CORPORATION IS PROHIBITED AND MAY BE UNLAWFUL

TOLERANCES UNLESS OTHERWISE NOTED  
X ± .250  
.XX ± .125  
.XXX ± 0.030  
.XXXX ± 0.0050  
ANGLE ± 1°

DRN: TEP  
DATE: 7-12-16

DESCRIPTION: TILT ATS07-XX-3647 45 DEGREE

PART NO.: ATS07-XX-3647

CHD BY:      DWG NO.: 20161935      REV:      SHEET: 1 of 1