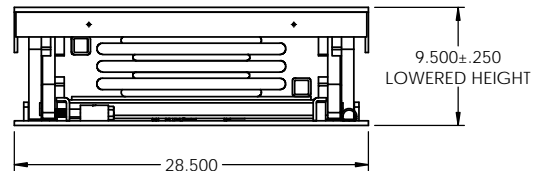
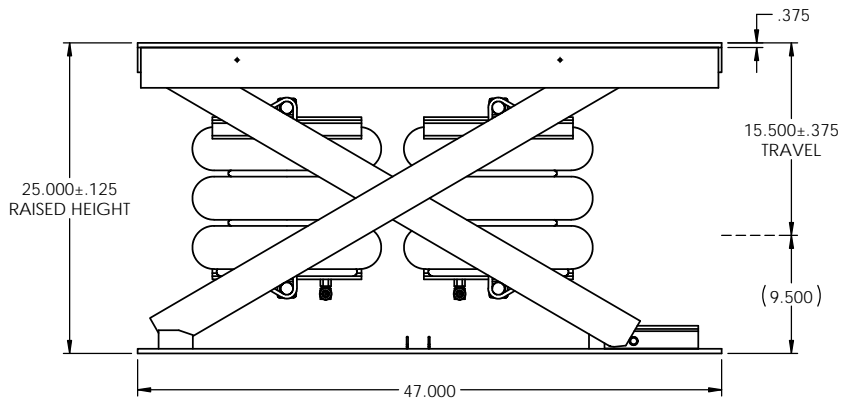
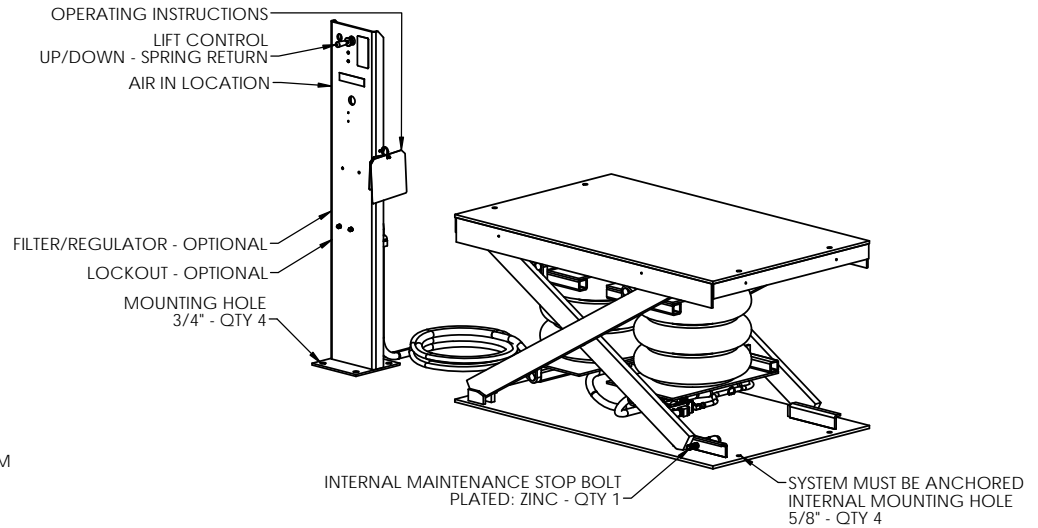
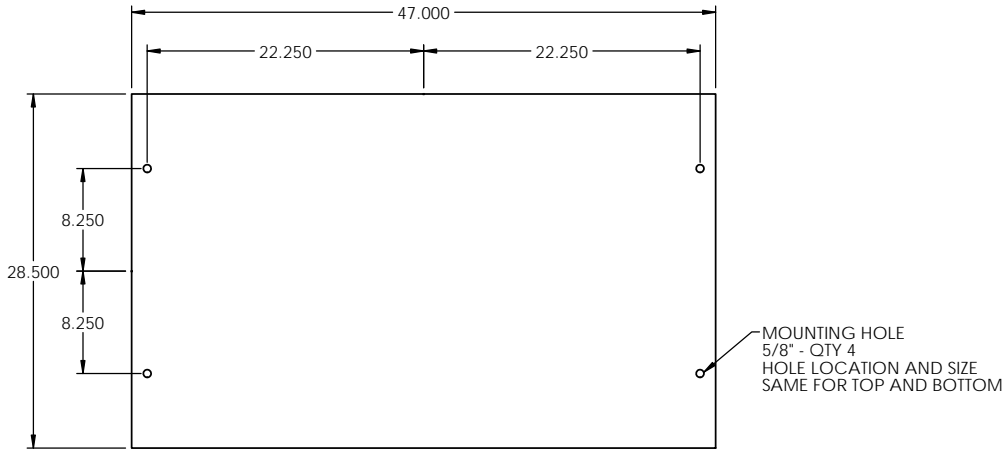


PART #: LSA24-XX-25-2947



**SPECIFICATIONS - STANDARD**

- CAPACITY: 1,000 - 4,000 LBS  
ALL LOADS MUST BE EVENLY DISTRIBUTED  
LIFT MAY NOT RAISE TO FULL HEIGHT  
WITH MAXIMUM CAPACITY LOAD
- CONTROLLER: HAND  
CONTROLLER MOUNT: PEDESTAL  
INTERNAL VALVE: PILOTED EXHAUST  
AIR FEED LINE: 1/2" MINIMUM  
AIR PRESSURE: 70 - 100 PSI  
CONTROLLER HOSE: 12 FEET  
SKIRT: OPTIONAL  
(ADD 3-1/2 INCHES PER SIDE TO BASE  
OF LIFT DIMENSIONS FOR SKIRTING)
- COLOR: LIFT: HERKULES SAFETY ORANGE  
SCISSORS: HERKULES SAFETY ORANGE  
PEDESTAL: HERKULES SAFETY ORANGE
- SAFETY FEATURES: PRESSURE RELIEF VALVE - QTY 1  
CHECK VALVE - QTY 1  
INTERNAL MAINTENANCE STOP BOLT - QTY 1
- WEIGHT SHIPPED: 750 LBS (APPROXIMATE)

THE NEED FOR SAFETY DEVICES VARIES WITH EACH APPLICATION OF THIS PRODUCT THIS DRAWING MAY NOT INCLUDE ALL APPROPRIATE SAFETY DEVICES FOR YOUR APPLICATION.

NOTE: SOME DETAILS ARE NOT INCLUDED ON THIS DRAWING FOR MORE DETAILED SPECIFICATIONS, PLEASE INQUIRE

**PROPRIETARY**

THE INFORMATION CONTAINED ON THIS DRAWING IS PROPRIETARY. IT IS THE SOLE PROPERTY OF HERKULES EQUIPMENT CORPORATION. ANY REPRODUCTION IN PART OR AS A WHOLE WITHOUT THE WRITTEN PERMISSION OF HERKULES EQUIPMENT CORPORATION IS PROHIBITED AND MAY BE UNLAWFUL

TOLERANCES  
UNLESS OTHERWISE NOTED  
X ± .250  
.XX ± .125  
.XXX ± 0.030  
.XXXX ± 0.0050  
ANGLE ± 1°



DESCRIPTION: LIFT SCISSOR AIR

DRN: TEP	PART NO.: LSA24-XX-25-2947
DATE: 5-17-16	CHD BY:      DWG NO.: 20117254      REV:      SHEET: 1 of 1