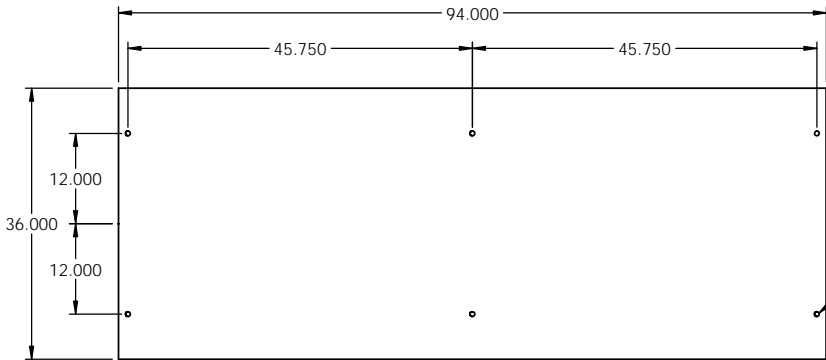
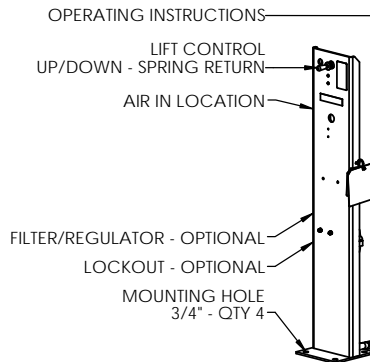


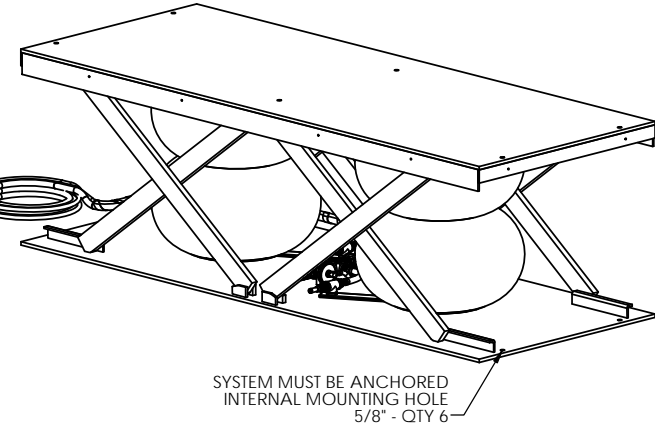
PART #: LSA10-XXX-29-3694



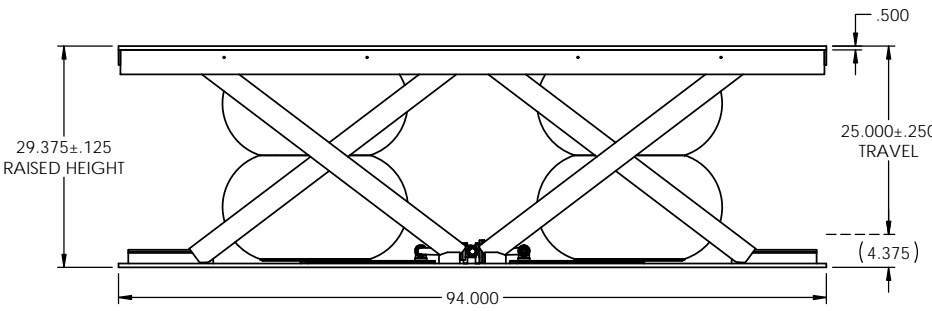
MOUNTING HOLE
5/8" - QTY 6
HOLE LOCATION AND SIZE
SAME FOR TOP AND BOTTOM



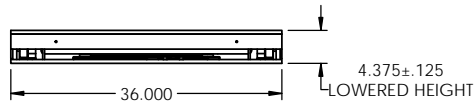
OPERATING INSTRUCTIONS
LIFT CONTROL
UP/DOWN - SPRING RETURN
AIR IN LOCATION
FILTER/REGULATOR - OPTIONAL
LOCKOUT - OPTIONAL
MOUNTING HOLE
3/4" - QTY 4



SYSTEM MUST BE ANCHORED
INTERNAL MOUNTING HOLE
5/8" - QTY 6



NOTE: AIR FEED LINE LENGTH TO EACH LIFT AIR
BAG SYSTEM MUST BE IDENTICAL OR
DAMAGE WILL OCCUR TO THE LIFT SYSTEM



SPECIFICATIONS - STANDARD

- CAPACITY: 1,000 - 10,000 LBS
ALL LOADS MUST BE EVENLY DISTRIBUTED
LIFT MAY NOT RAISE TO FULL HEIGHT
WITH MAXIMUM CAPACITY LOAD
- CONTROLLER: HAND
- CONTROLLER MOUNT: PEDESTAL
- INTERNAL VALVE: PILOTED EXHAUST
- AIR FEED LINE: 1" MINIMUM
- AIR PRESSURE: 70 - 100 PSI
- CONTROLLER HOSE: 12 FEET
- SKIRT: OPTIONAL
(ADD 3-1/2 INCHES PER SIDE TO BASE
OF LIFT DIMENSIONS FOR SKIRTING)
- COLOR: LIFT: HERKULES SAFETY ORANGE
SCISSORS: HERKULES SAFETY ORANGE
PEDESTAL: HERKULES SAFETY ORANGE
- SAFETY FEATURES: PRESSURE RELIEF VALVE - QTY 2
CHECK VALVE - QTY 1
OVERHEAD RIG REQUIRED FOR MAINTENANCE
- WEIGHT SHIPPED: 1,590 LBS (APPROXIMATE)

THE NEED FOR SAFETY DEVICES VARIES WITH EACH APPLICATION OF THIS
PRODUCT THIS DRAWING MAY NOT INCLUDE ALL APPROPRIATE SAFETY
DEVICES FOR YOUR APPLICATION.
NOTE: SOME DETAILS ARE NOT INCLUDED ON THIS DRAWING
FOR MORE DETAILED SPECIFICATIONS, PLEASE INQUIRE
PROPRIETARY
THE INFORMATION CONTAINED ON THIS DRAWING IS PROPRIETARY. IT IS THE
SOLE PROPERTY OF HERKULES EQUIPMENT CORPORATION. ANY REPRODUCTION
IN PART OR AS A WHOLE WITHOUT THE WRITTEN PERMISSION OF HERKULES
EQUIPMENT CORPORATION IS PROHIBITED AND MAY BE UNLAWFUL

TOLERANCES
UNLESS OTHERWISE NOTED
X ± .250
XX ± .125
XXX ± 0.030
XXXX ± 0.0050
ANGLE ± 1°



DRN: TEP	PART NO.: LSA10-XXX-29-3694	DESCRIPTION: LIFT SCISSOR AIR
DATE: 6-3-16	CHKD BY:	DWG NO.: 20117070
		REV: SHEET: 1 of 1