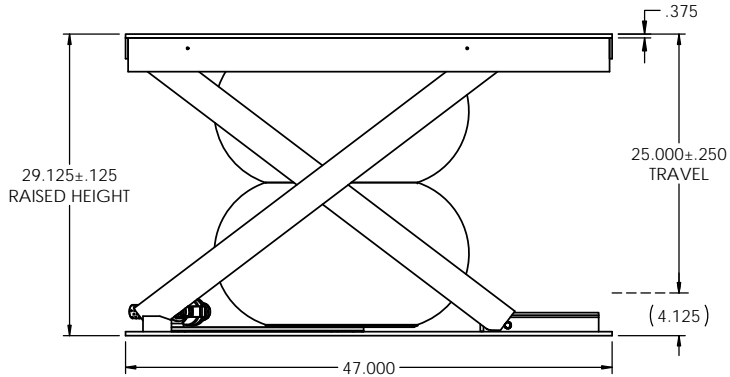
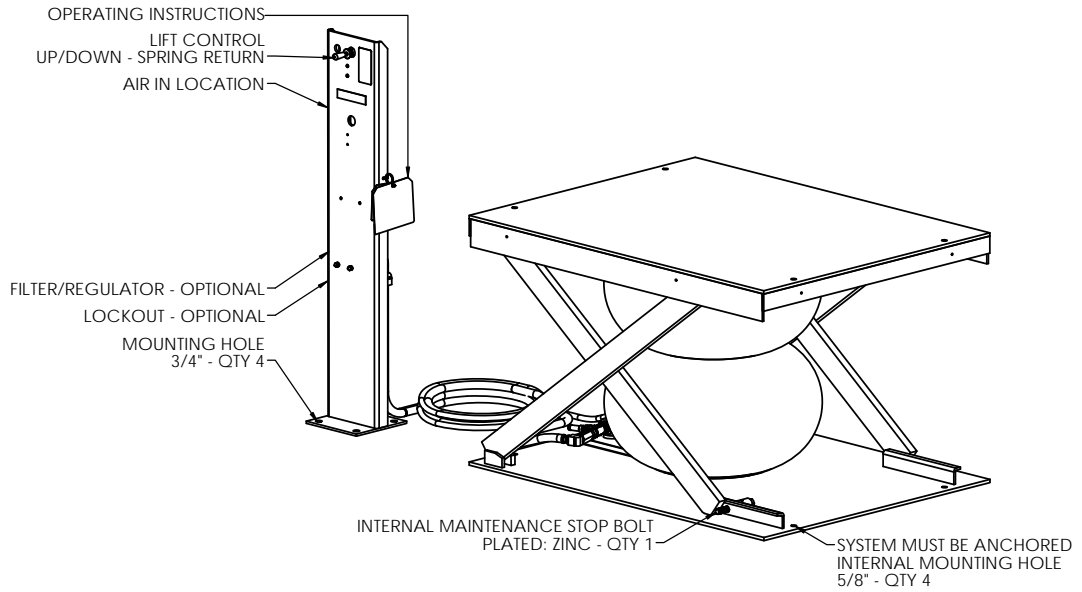
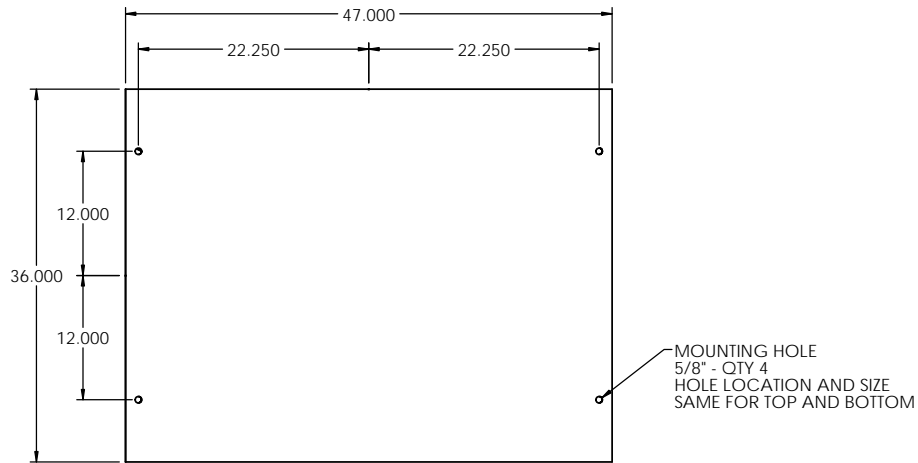
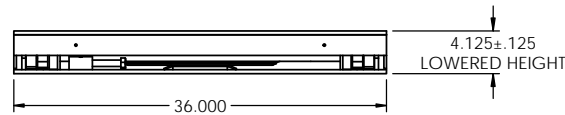


PART #: LSA02-XX-29-3647



- NOTES:
 1. SPEED FOR FULL TRAVEL WITH 4000 LBS LOAD:
 a. UP 10 TO 20 SECONDS
 b. DOWN 8 TO 12 SECONDS



SPECIFICATIONS - STANDARD

- CAPACITY: 1,000 - 6,000 LBS
 ALL LOADS MUST BE EVENLY DISTRIBUTED
 LIFT MAY NOT RAISE TO FULL HEIGHT WITH MAXIMUM CAPACITY LOAD
- CONTROLLER: HAND
 CONTROLLER MOUNT: PEDESTAL
 INTERNAL VALVE: PILOTED EXHAUST
 AIR FEED LINE: 1" MINIMUM
 AIR PRESSURE: 70 - 100 PSI
 CONTROLLER HOSE: 12 FEET
 SKIRT: OPTIONAL
 (ADD 3-1/2 INCHES PER SIDE TO BASE OF LIFT DIMENSIONS FOR SKIRTING)
- COLOR: LIFT: HERKULES SAFETY ORANGE
 SCISSORS: HERKULES SAFETY ORANGE
 PEDESTAL: HERKULES SAFETY ORANGE
- SAFETY FEATURES: PRESSURE RELIEF VALVE - QTY 1
 CHECK VALVE - QTY 1
 INTERNAL MAINTENANCE STOP BOLT - QTY 1
- WEIGHT SHIPPED: 720 LBS (APPROXIMATE)

THE NEED FOR SAFETY DEVICES VARIES WITH EACH APPLICATION OF THIS PRODUCT THIS DRAWING MAY NOT INCLUDE ALL APPROPRIATE SAFETY DEVICES FOR YOUR APPLICATION.

NOTE: SOME DETAILS ARE NOT INCLUDED ON THIS DRAWING FOR MORE DETAILED SPECIFICATIONS, PLEASE INQUIRE

PROPRIETARY

THE INFORMATION CONTAINED ON THIS DRAWING IS PROPRIETARY. IT IS THE SOLE PROPERTY OF HERKULES EQUIPMENT CORPORATION. ANY REPRODUCTION IN PART OR AS A WHOLE WITHOUT THE WRITTEN PERMISSION OF HERKULES EQUIPMENT CORPORATION IS PROHIBITED AND MAY BE UNLAWFUL

TOLERANCES UNLESS OTHERWISE NOTED
 X ± .250
 .XX ± .125
 .XXX ± 0.030
 .XXXX ± 0.0050
 ANGLE ± 1°



DRN: TEP	PART NO.: LSA02-XX-29-3647	DESCRIPTION: LIFT SCISSOR AIR
DATE: 6-2-16	CHKD BY:	DWG NO.: 20116839
		REV: SHEET: 1 of 1