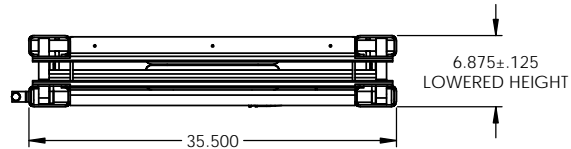
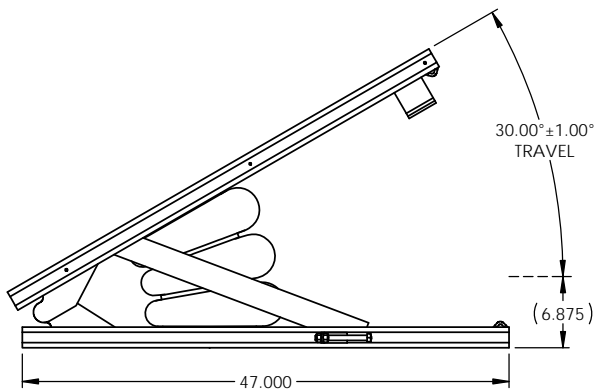
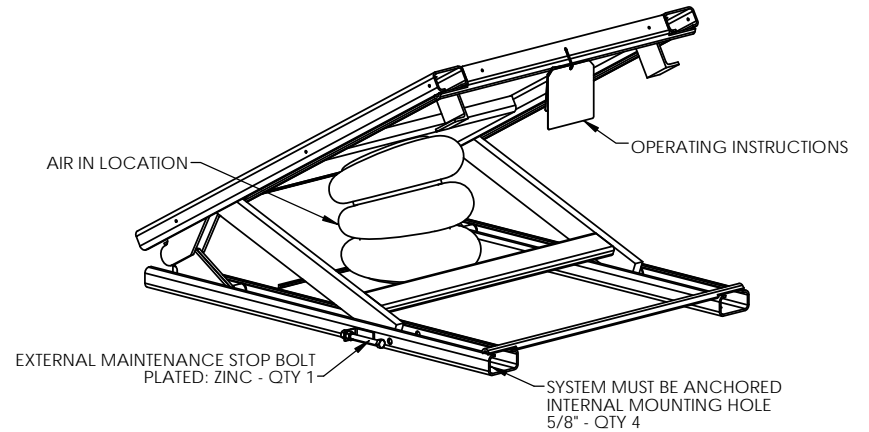
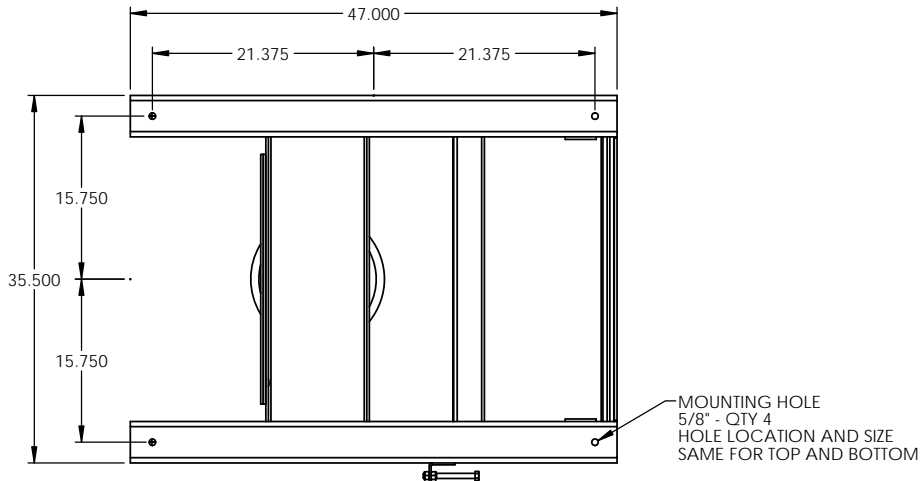


PART #: ATSO6-XX-3647



SPECIFICATIONS - STANDARD

- CAPACITY: 1,000 - 3,000 LBS
ALL LOADS MUST BE EVENLY DISTRIBUTED
LIFT MAY NOT RAISE TO FULL HEIGHT
WITH MAXIMUM CAPACITY LOAD
- CONTROLLER: OPTIONAL
- CONTROLLER MOUNT: OPTIONAL
- INTERNAL VALVE: INTERNAL FLOW CONTROL VALVE
- AIR FEED LINE: 1/2" MINIMUM
- AIR PRESSURE: 70 - 100 PSI
- CONTROLLER HOSE: 12 FEET
- SKIRT: OPTIONAL
(ADD 3-1/2 INCHES PER SIDE TO BASE
OF LIFT DIMENSIONS FOR SKIRTING)
- COLOR: TILT: HERKULES SAFETY ORANGE
SCISSOR: HERKULES SAFETY WHITE
- SAFETY FEATURES: PRESSURE RELIEF VALVE - QTY 1
CHECK VALVE - OPTIONAL
EXTERNAL MAINTENANCE STOP BOLT - QTY 1
280 LBS (APPROXIMATE)
- WEIGHT SHIPPED: 280 LBS (APPROXIMATE)

THE NEED FOR SAFETY DEVICES VARIES WITH EACH APPLICATION OF THIS PRODUCT THIS DRAWING MAY NOT INCLUDE ALL APPROPRIATE SAFETY DEVICES FOR YOUR APPLICATION.

NOTE: SOME DETAILS ARE NOT INCLUDED ON THIS DRAWING FOR MORE DETAILED SPECIFICATIONS, PLEASE INQUIRE

PROPRIETARY

THE INFORMATION CONTAINED ON THIS DRAWING IS PROPRIETARY. IT IS THE SOLE PROPERTY OF HERKULES EQUIPMENT CORPORATION. ANY REPRODUCTION IN PART OR AS A WHOLE WITHOUT THE WRITTEN PERMISSION OF HERKULES EQUIPMENT CORPORATION IS PROHIBITED AND MAY BE UNLAWFUL

TOLERANCES UNLESS OTHERWISE NOTED
X ± .250
XX ± .125
XXX ± 0.030
XXXX ± 0.0050
ANGLE ± 1°



DESCRIPTION: TILT ATSO6-XX-3647 30 DEGREE

DRN: TEP	PART NO.: ATSO6-XX-3647
DATE: 7-12-16	CHKD BY: _____
DWG NO.: 20161934	REV: _____
SHEET: 1 of 1	