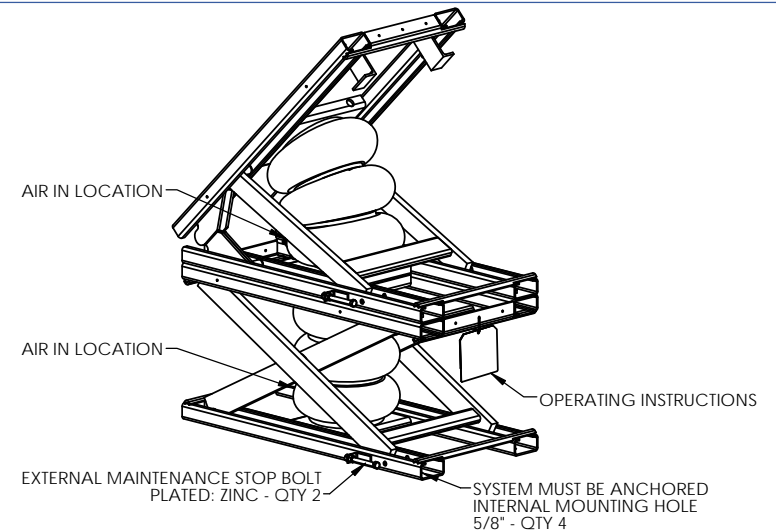
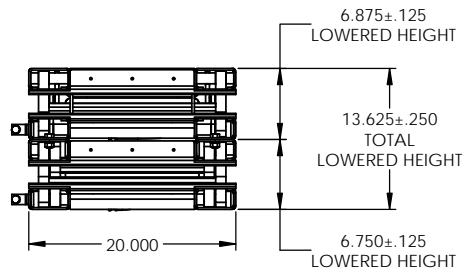
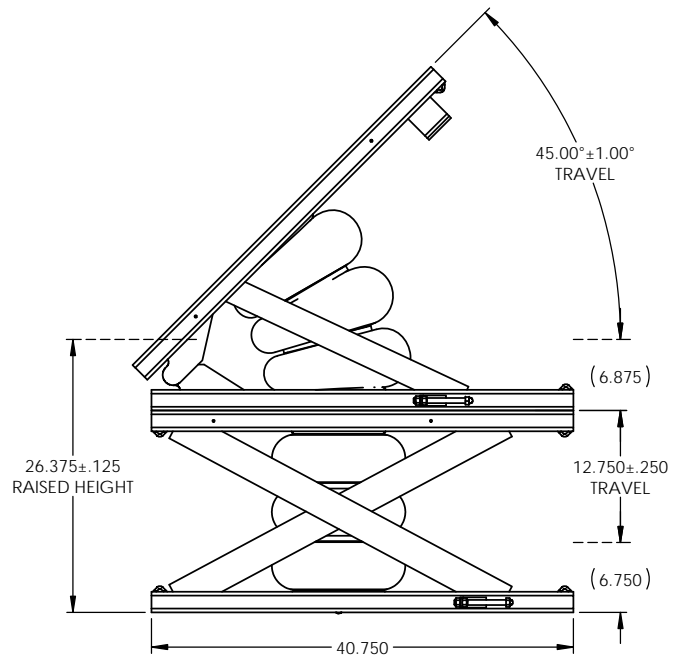
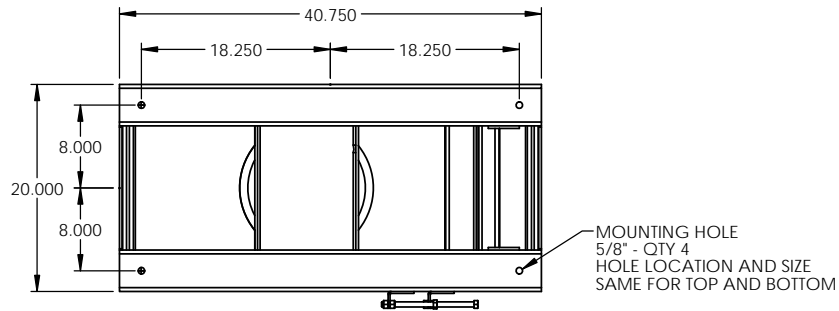


PART #: ALTS13-XX-26-2041



**SPECIFICATIONS - STANDARD**

- CAPACITY: 1,000 - 3,000 LBS  
ALL LOADS MUST BE EVENLY DISTRIBUTED  
LIFT MAY NOT RAISE TO FULL HEIGHT WITH MAXIMUM CAPACITY LOAD
- CONTROLLER: OPTIONAL
- CONTROLLER MOUNT: OPTIONAL
- INTERNAL VALVE: LIFT: NONE  
TILT: INTERNAL FLOW CONTROL VALVE
- AIR FEED LINE: 1/2" MINIMUM
- AIR PRESSURE: 70 - 100 PSI
- CONTROLLER HOSE: 12 FEET
- SKIRT: LIFT: OPTIONAL  
TILT: OPTIONAL  
(ADD 3-1/2 INCHES PER SIDE TO BASE OF LIFT DIMENSIONS FOR SKIRTING)
- COLOR: LIFT: HERKULES SAFETY ORANGE  
LIFT SCISSORS: HERKULES SAFETY WHITE  
TILT: HERKULES SAFETY ORANGE  
TILT SCISSOR: HERKULES SAFETY WHITE
- SAFETY FEATURES: PRESSURE RELIEF VALVE - QTY 2  
CHECK VALVE - OPTIONAL  
EXTERNAL MAINTENANCE STOP BOLT - QTY 2  
480 LBS (APPROXIMATE)
- WEIGHT: 480 LBS (APPROXIMATE)

THE NEED FOR SAFETY DEVICES VARIES WITH EACH APPLICATION OF THIS PRODUCT THIS DRAWING MAY NOT INCLUDE ALL APPROPRIATE SAFETY DEVICES FOR YOUR APPLICATION.

NOTE: SOME DETAILS ARE NOT INCLUDED ON THIS DRAWING FOR MORE DETAILED SPECIFICATIONS, PLEASE INQUIRE

**PROPRIETARY**

THE INFORMATION CONTAINED ON THIS DRAWING IS PROPRIETARY. IT IS THE SOLE PROPERTY OF HERKULES EQUIPMENT CORPORATION. ANY REPRODUCTION IN PART OR AS A WHOLE WITHOUT THE WRITTEN PERMISSION OF HERKULES EQUIPMENT CORPORATION IS PROHIBITED AND MAY BE UNLAWFUL.

TOLERANCES UNLESS OTHERWISE NOTED  
X ± .250  
.XX ± .125  
.XXX ± 0.030  
.XXXX ± 0.0050  
ANGLE ± 1°



DESCRIPTION: A-SERIES LIFT AND TILT SCISSOR

DRN: TEP	PART NO: ALTS13-XX-26-2041
DATE: 7-13-16	CHKD BY: _____
DWG NO: 20161941	REV: _____
SHEET: 1 of 1	