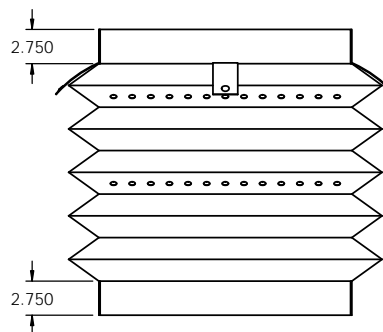
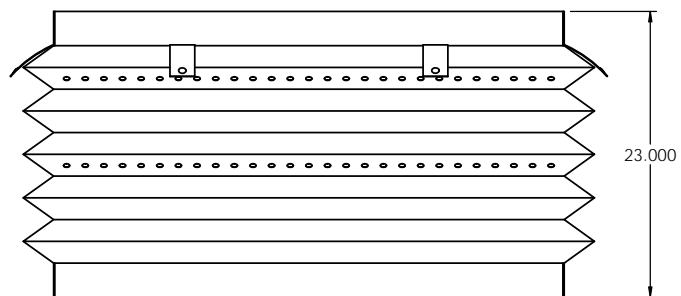
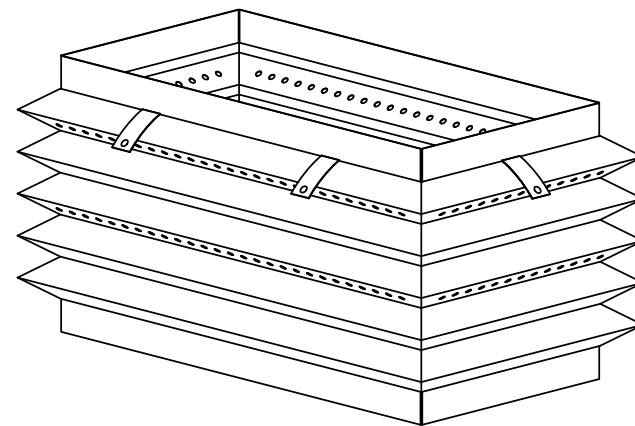
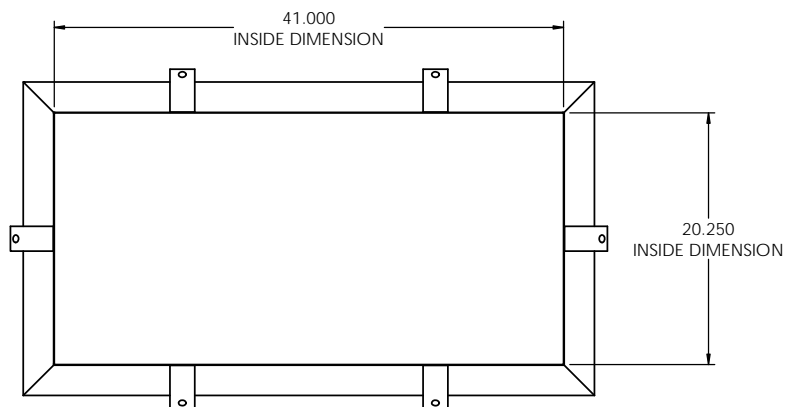


PART #: 1006951



SPECIFICATIONS - STANDARD

CAPACITY: NONE
 COMPATIBILITY: LIFT: ALS04
 TILT: NONE
 LIFT & TILT: ALTS12, ALTS13
 COLOR: YELLOW AND BLACK
 SAFETY FEATURES: PROTECTIVE BELLOWS
 WEIGHT: 10 LBS (APPROXIMATE)

THE NEED FOR SAFETY DEVICES VARIES WITH EACH APPLICATION OF THIS PRODUCT THIS DRAWING MAY NOT INCLUDE ALL APPROPRIATE SAFETY DEVICES FOR YOUR APPLICATION.

NOTE: SOME DETAILS ARE NOT INCLUDED ON THIS DRAWING FOR MORE DETAILED SPECIFICATIONS, PLEASE INQUIRE

PROPRIETARY

THE INFORMATION CONTAINED ON THIS DRAWING IS PROPRIETARY. IT IS THE SOLE PROPERTY OF HERKULES EQUIPMENT CORPORATION. ANY REPRODUCTION IN PART OR AS A WHOLE WITHOUT THE WRITTEN PERMISSION OF HERKULES EQUIPMENT CORPORATION IS PROHIBITED AND MAY BE UNLAWFUL.

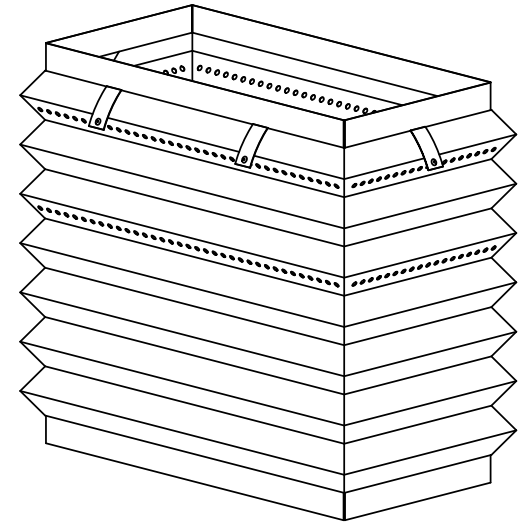
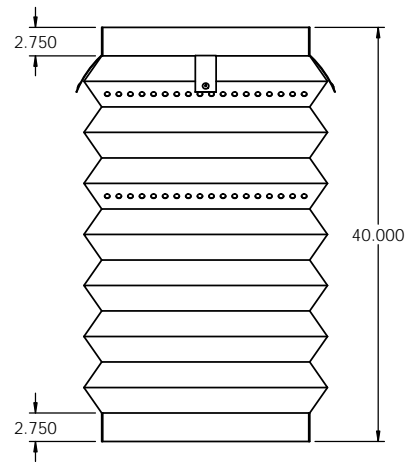
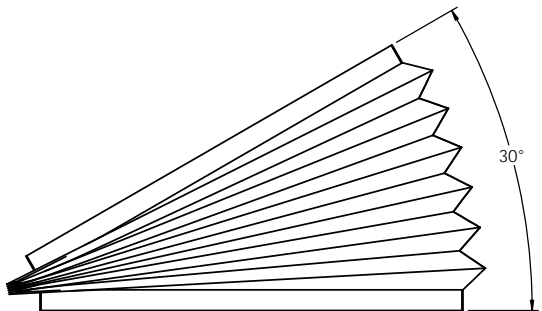
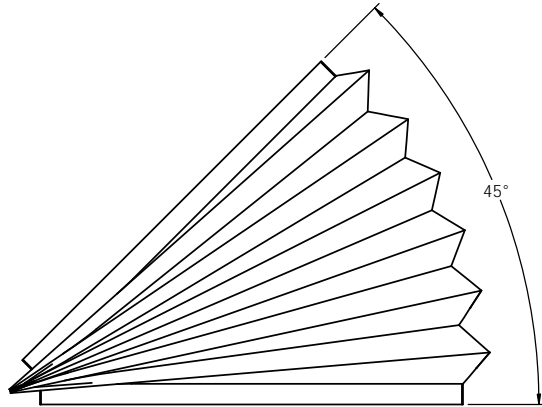
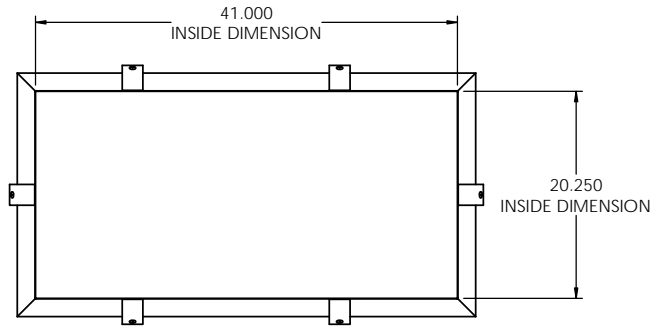
TOLERANCES
UNLESS OTHERWISE NOTED
 X ± .250
 .XX ± .125
 .XXX ± 0.030
 .XXXX ± 0.0050
 ANGLE ± 1°



DESCRIPTION SKIRT - ALS04

DRN: BKH	PART NO.: 1006951
DATE: 12/20/2016	CHD BY: DWG NO.: 20162047 REV: SHEET: 1 of 1

PART #: 1008084



SPECIFICATIONS - STANDARD

CAPACITY: NONE
 COMPATIBILITY: LIFT: NONE
 TILT: ATSO8, ATSO9
 LIFT & TILT: ALTS12, ALTS13
 COLOR: YELLOW AND BLACK
 SAFETY FEATURES: PROTECTIVE BELLOWS
 WEIGHT: 10 LBS (APPROXIMATE)

THE NEED FOR SAFETY DEVICES VARIES WITH EACH APPLICATION OF THIS PRODUCT THIS DRAWING MAY NOT INCLUDE ALL APPROPRIATE SAFETY DEVICES FOR YOUR APPLICATION.

NOTE: SOME DETAILS ARE NOT INCLUDED ON THIS DRAWING FOR MORE DETAILED SPECIFICATIONS, PLEASE INQUIRE

PROPRIETARY

THE INFORMATION CONTAINED ON THIS DRAWING IS PROPRIETARY. IT IS THE SOLE PROPERTY OF HERKULES EQUIPMENT CORPORATION. ANY REPRODUCTION IN PART OR AS A WHOLE WITHOUT THE WRITTEN PERMISSION OF HERKULES EQUIPMENT CORPORATION IS PROHIBITED AND MAY BE UNLAWFUL.

TOLERANCES UNLESS OTHERWISE NOTED
 X ± .250
 XX ± .125
 XXX ± 0.030
 .XXXX ± 0.0050
 ANGLE ± 1°



DESCRIPTION: SKIRT - ATSO8, 09

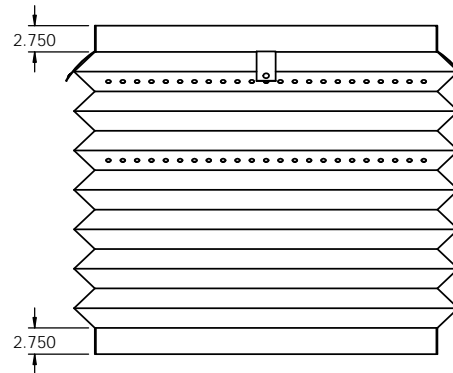
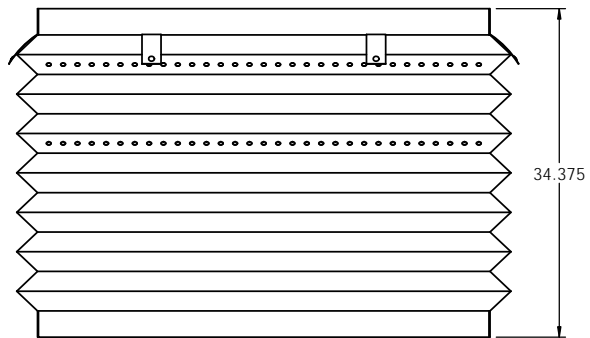
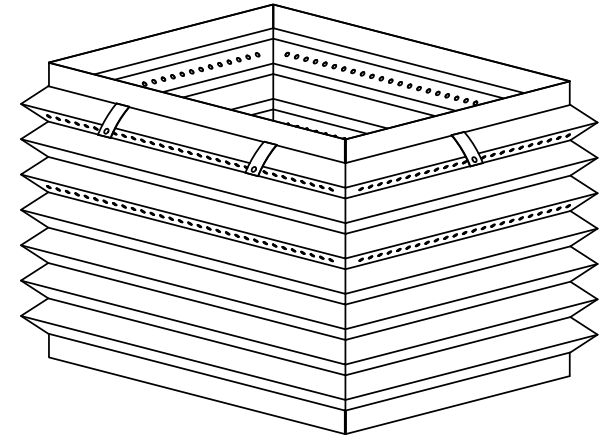
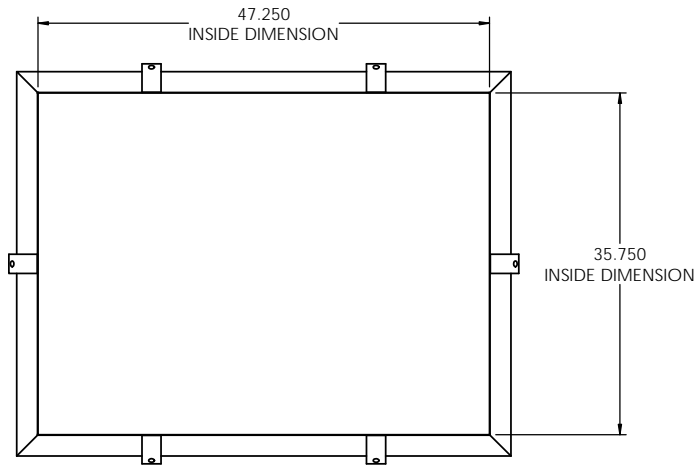
DRN: BKH
 DATE: 12/13/2016

PART NO.: 1008084

CHD BY: DWG NO.: 20162257

REV: SHEET: 1 of 1

PART #: 1007951



SPECIFICATIONS - STANDARD

CAPACITY: NONE
 COMPATIBILITY: LIFT: ALS01, ALS02, ALS05
 TILT: NONE
 LIFT & TILT: ALTS10, ALTS11
 COLOR: YELLOW AND BLACK
 SAFETY FEATURES: PROTECTIVE BELLOWS
 WEIGHT: 12 LBS (APPROXIMATE)

THE NEED FOR SAFETY DEVICES VARIES WITH EACH APPLICATION OF THIS PRODUCT THIS DRAWING MAY NOT INCLUDE ALL APPROPRIATE SAFETY DEVICES FOR YOUR APPLICATION.

NOTE: SOME DETAILS ARE NOT INCLUDED ON THIS DRAWING FOR MORE DETAILED SPECIFICATIONS, PLEASE INQUIRE

PROPRIETARY

THE INFORMATION CONTAINED ON THIS DRAWING IS PROPRIETARY. IT IS THE SOLE PROPERTY OF HERKULES EQUIPMENT CORPORATION. ANY REPRODUCTION IN PART OR AS A WHOLE WITHOUT THE WRITTEN PERMISSION OF HERKULES EQUIPMENT CORPORATION IS PROHIBITED AND MAY BE UNLAWFUL.

TOLERANCES UNLESS OTHERWISE NOTED
 X ± .250
 .XX ± .125
 .XXX ± 0.030
 .XXXX ± 0.0050
 ANGLE ± 1°



DESCRIPTION: SKIRT - ALS01, 02, 05

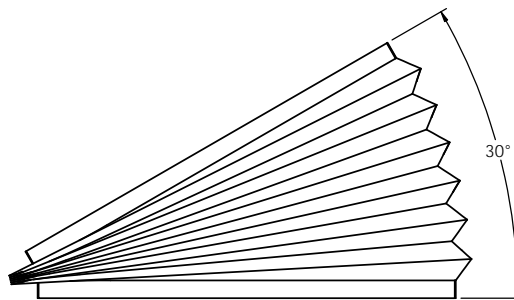
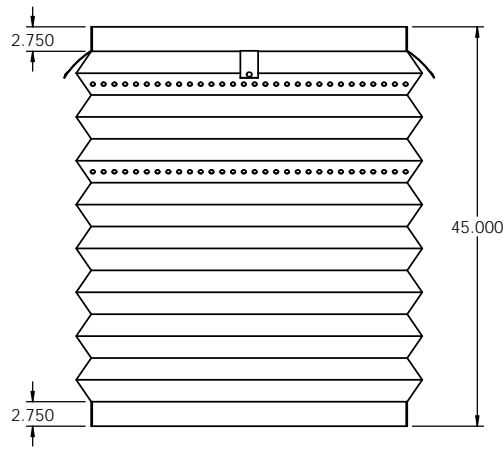
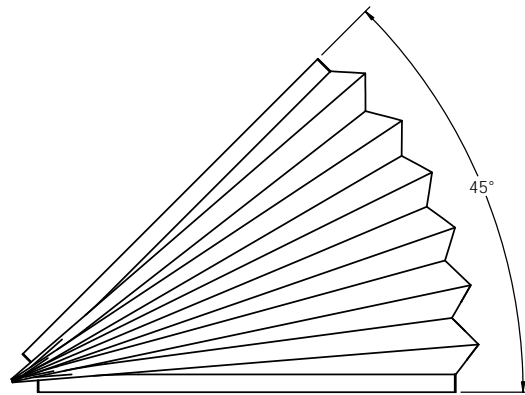
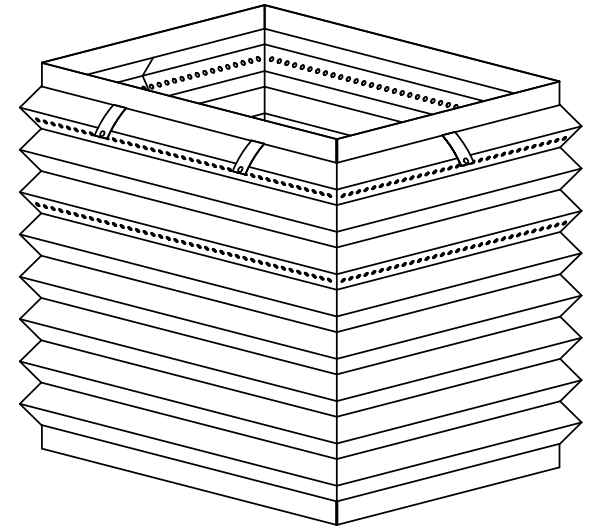
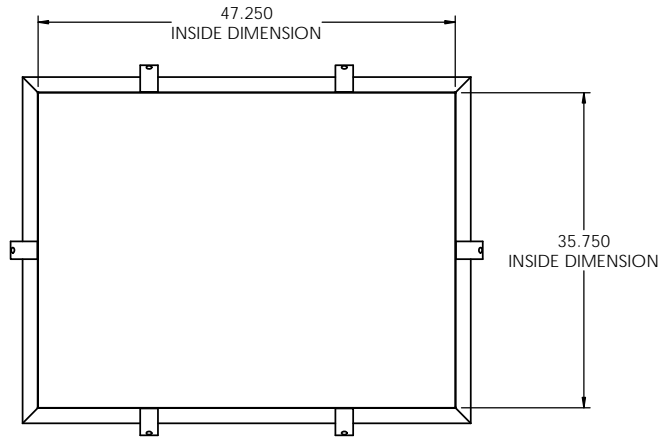
DRN: BKH
 DATE: 12/20/2016

PART NO.: 1007951

CHD BY: DWG NO.: 20162061

REV: SHEET: 1 of 1

PART #: 1007952



SPECIFICATIONS - STANDARD

CAPACITY: NONE
 COMPATIBILITY: LIFT: ALS03
 TILT: ATSO6, ATSO7
 LIFT & TILT: ALTS10, ALTS11, ALTS14, ALTS15
 COLOR: YELLOW AND BLACK
 SAFETY FEATURES: PROTECTIVE BELLOWS
 WEIGHT: 15 LBS (APPROXIMATE)

THE NEED FOR SAFETY DEVICES VARIES WITH EACH APPLICATION OF THIS PRODUCT THIS DRAWING MAY NOT INCLUDE ALL APPROPRIATE SAFETY DEVICES FOR YOUR APPLICATION.

NOTE: SOME DETAILS ARE NOT INCLUDED ON THIS DRAWING FOR MORE DETAILED SPECIFICATIONS, PLEASE INQUIRE

PROPRIETARY

THE INFORMATION CONTAINED ON THIS DRAWING IS PROPRIETARY. IT IS THE SOLE PROPERTY OF HERKULES EQUIPMENT CORPORATION. ANY REPRODUCTION IN PART OR AS A WHOLE WITHOUT THE WRITTEN PERMISSION OF HERKULES EQUIPMENT CORPORATION IS PROHIBITED AND MAY BE UNLAWFUL.

TOLERANCES UNLESS OTHERWISE NOTED
 X ± .250
 .XX ± .125
 .XXX ± 0.030
 .XXXX ± 0.0050
 ANGLE ± 1°



DESCRIPTION: SKIRT - ALS03, ATSO6, 07

DRN: BKH
 DATE: 1/6/2017

PART NO.: 1007952

CHD BY: DWG NO.: 20162062

REV: SHEET: 1 of 1