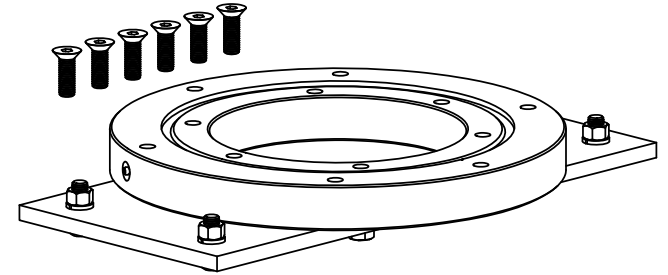
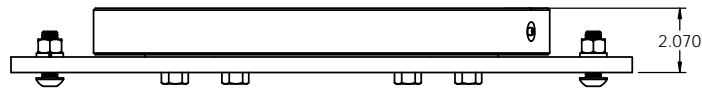
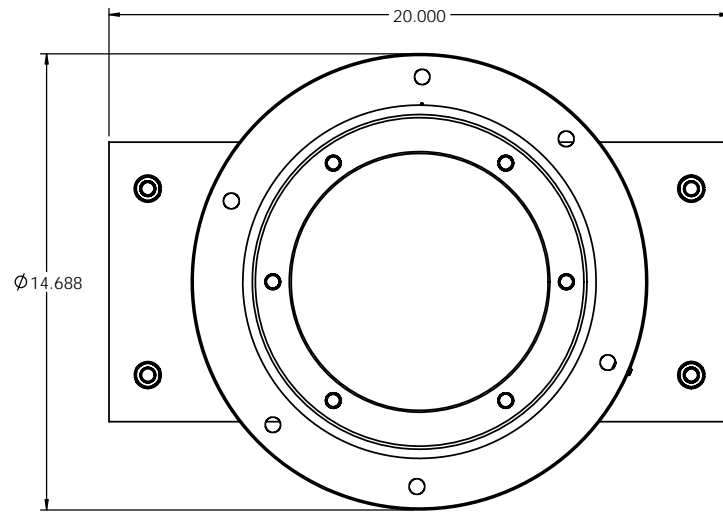


PART #: 16956



SPECIFICATIONS - STANDARD

CAPACITY: 1,000 - 3,000 LBS
 COMPATIBILITY: LIFT: ALS04
 TILT: NONE
 LIFT & TILT: NONE
 COLOR: HERKULES SAFETY ORANGE
 SAFETY FEATURES: NONE
 WEIGHT: 75 LBS (APPROXIMATE)

THE NEED FOR SAFETY DEVICES VARIES WITH EACH APPLICATION OF THIS PRODUCT THIS DRAWING MAY NOT INCLUDE ALL APPROPRIATE SAFETY DEVICES FOR YOUR APPLICATION.

NOTE: SOME DETAILS ARE NOT INCLUDED ON THIS DRAWING FOR MORE DETAILED SPECIFICATIONS, PLEASE INQUIRE

PROPRIETARY

THE INFORMATION CONTAINED ON THIS DRAWING IS PROPRIETARY. IT IS THE SOLE PROPERTY OF HERKULES EQUIPMENT CORPORATION. ANY REPRODUCTION IN PART OR AS A WHOLE WITHOUT THE WRITTEN PERMISSION OF HERKULES EQUIPMENT CORPORATION IS PROHIBITED AND MAY BE UNLAWFUL.

TOLERANCES UNLESS OTHERWISE NOTED

X ± .250
 .XX ± .125
 .XXX ± 0.030
 .XXXX ± 0.0050
 ANGLE ± 1°



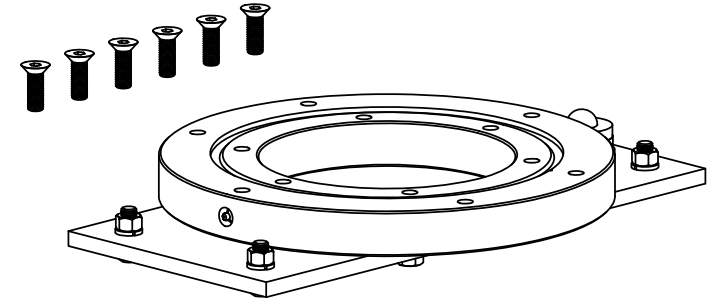
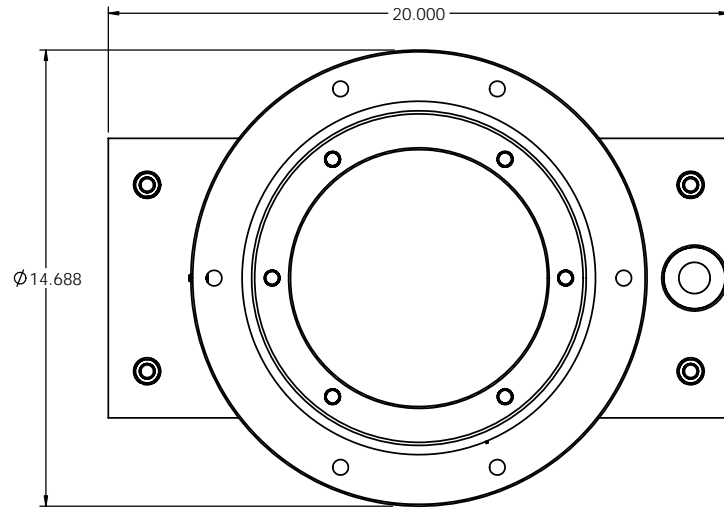
DESCRIPTION: ROTATE HI-GRADE BEARING - NO DETENT

DRN: BKH
 DATE: 12/6/16

PART NO.: 16956

CHKD BY: DWG NO.: 20162007 REV: SHEET: 1 of 1

PART #: 14618



SPECIFICATIONS - STANDARD

CAPACITY: 1,000 - 3,000 LBS
 COMPATIBILITY: LIFT: ALS04
 TILT: NONE
 LIFT & TILT: NONE
 COLOR: HERKULES SAFETY ORANGE
 SAFETY FEATURES: SPRING DETENT
 WEIGHT: 78 LBS (APPROXIMATE)

THE NEED FOR SAFETY DEVICES VARIES WITH EACH APPLICATION OF THIS PRODUCT THIS DRAWING MAY NOT INCLUDE ALL APPROPRIATE SAFETY DEVICES FOR YOUR APPLICATION.

NOTE: SOME DETAILS ARE NOT INCLUDED ON THIS DRAWING FOR MORE DETAILED SPECIFICATIONS, PLEASE INQUIRE

PROPRIETARY

THE INFORMATION CONTAINED ON THIS DRAWING IS PROPRIETARY. IT IS THE SOLE PROPERTY OF HERKULES EQUIPMENT CORPORATION. ANY REPRODUCTION IN PART OR AS A WHOLE WITHOUT THE WRITTEN PERMISSION OF HERKULES EQUIPMENT CORPORATION IS PROHIBITED AND MAY BE UNLAWFUL.

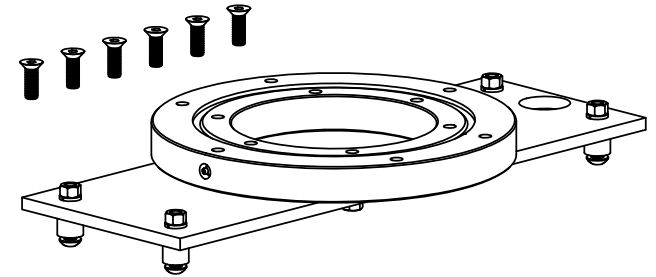
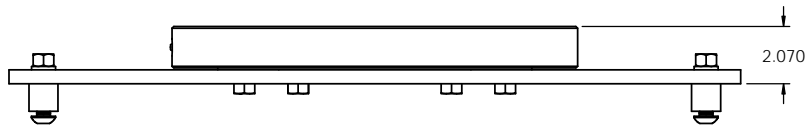
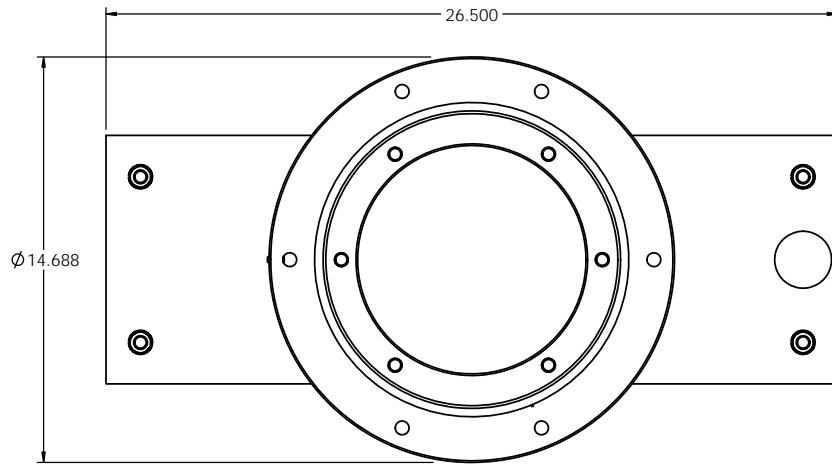
TOLERANCES UNLESS OTHERWISE NOTED
 X ± .250
 XX ± .125
 XXX ± 0.030
 XXXX ± 0.0050
 ANGLE ± 1°



DESCRIPTION: ROTATE HIGH GRADE BEARING - W/ SPRING DETENT

DRN: BKH	PART NO.: 14618	CHD BY:	DWG NO.: 02117182	REV:	SHEET: 1 of 1
DATE: 12/6/16					

PART #: 13320



SPECIFICATIONS - STANDARD

CAPACITY: 1,000 - 6,000 LBS
 COMPATIBILITY: LIFT: ALS01, ALS02, ALS03
 TILT: NONE
 LIFT & TILT: NONE
 COLOR: HERKULES SAFETY ORANGE
 SAFETY FEATURES: NONE
 WEIGHT: 83 LBS (APPROXIMATE)

THE NEED FOR SAFETY DEVICES VARIES WITH EACH APPLICATION OF THIS PRODUCT THIS DRAWING MAY NOT INCLUDE ALL APPROPRIATE SAFETY DEVICES FOR YOUR APPLICATION.

NOTE: SOME DETAILS ARE NOT INCLUDED ON THIS DRAWING FOR MORE DETAILED SPECIFICATIONS, PLEASE INQUIRE

PROPRIETARY

THE INFORMATION CONTAINED ON THIS DRAWING IS PROPRIETARY. IT IS THE SOLE PROPERTY OF HERKULES EQUIPMENT CORPORATION. ANY REPRODUCTION IN PART OR AS A WHOLE WITHOUT THE WRITTEN PERMISSION OF HERKULES EQUIPMENT CORPORATION IS PROHIBITED AND MAY BE UNLAWFUL.

TOLERANCES UNLESS OTHERWISE NOTED
 .X ± .250
 .XX ± .125
 .XXX ± 0.030
 .XXXX ± 0.0050
 ANGLE ± 1°



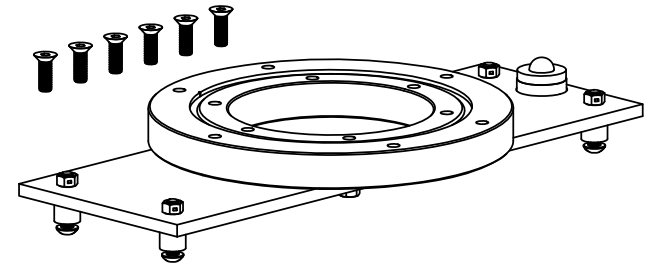
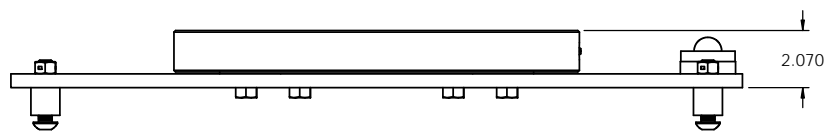
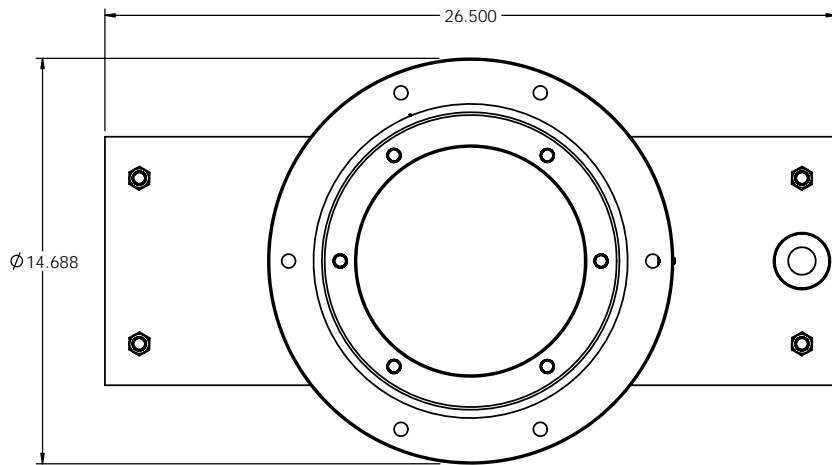
DESCRIPTION: ROTATE HIGH GRADE BEARING - NO DETENT

DRN: BKH
 DATE: 1/6/2017

PART NO.: 13320

CHKD BY: DWG NO.: 02085019 REV: SHEET: 1 of 1

PART #: 13689



SPECIFICATIONS - STANDARD

CAPACITY: 1,000 - 6,000 LBS
 COMPATIBILITY: LIFT: ALS01, ALS02, ALS03
 TILT: NONE
 LIFT & TILT: NONE
 COLOR: HERKULES SAFETY ORANGE
 SAFETY FEATURES: SPRING DETENT
 WEIGHT: 87 LBS (APPROXIMATE)

THE NEED FOR SAFETY DEVICES VARIES WITH EACH APPLICATION OF THIS PRODUCT THIS DRAWING MAY NOT INCLUDE ALL APPROPRIATE SAFETY DEVICES FOR YOUR APPLICATION.

NOTE: SOME DETAILS ARE NOT INCLUDED ON THIS DRAWING FOR MORE DETAILED SPECIFICATIONS, PLEASE INQUIRE

PROPRIETARY

THE INFORMATION CONTAINED ON THIS DRAWING IS PROPRIETARY. IT IS THE SOLE PROPERTY OF HERKULES EQUIPMENT CORPORATION. ANY REPRODUCTION IN PART OR AS A WHOLE WITHOUT THE WRITTEN PERMISSION OF HERKULES EQUIPMENT CORPORATION IS PROHIBITED AND MAY BE UNLAWFUL.

TOLERANCES UNLESS OTHERWISE NOTED
 X ± .250
 .XX ± .125
 .XXX ± 0.030
 .XXXX ± 0.0050
 ANGLE ± 1°



DESCRIPTION: ROTATE HIGH GRADE BEARING - W/ SPRING DETENT

DRN: BKH

PART NO.: 13689

DATE: 12/6/2016

CHKD BY:

DWG NO.: 02085634

REV:

SHEET: 1 of 1