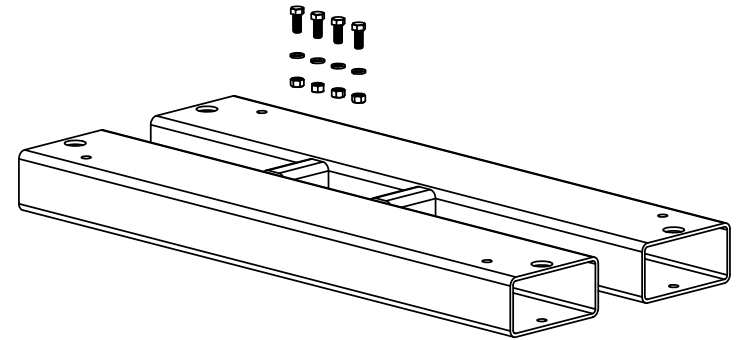
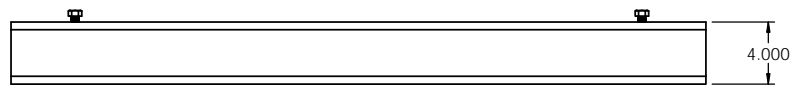
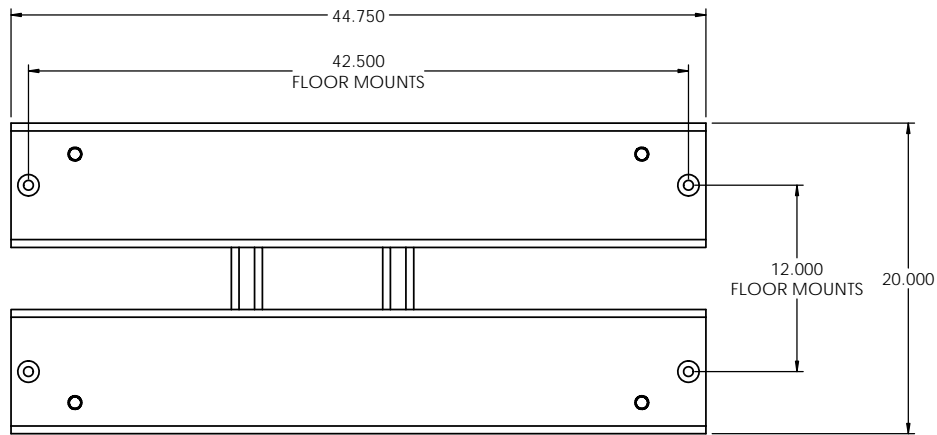


PART #: 13826



**SPECIFICATIONS - STANDARD**

CAPACITY: 1,000 - 3,000 LBS  
 COMPATIBILITY: LIFT: ALS04  
 TILT: ATSO8, ATSO9  
 LIFT & TILT: ALTS12, ALTS13  
 COLOR: HERKULES SAFETY ORANGE  
 SAFETY FEATURES: NONE  
 WEIGHT: 148 LBS (APPROXIMATE)

THE NEED FOR SAFETY DEVICES VARIES WITH EACH APPLICATION OF THIS PRODUCT THIS DRAWING MAY NOT INCLUDE ALL APPROPRIATE SAFETY DEVICES FOR YOUR APPLICATION.

NOTE: SOME DETAILS ARE NOT INCLUDED ON THIS DRAWING FOR MORE DETAILED SPECIFICATIONS, PLEASE INQUIRE

**PROPRIETARY**

THE INFORMATION CONTAINED ON THIS DRAWING IS PROPRIETARY. IT IS THE SOLE PROPERTY OF HERKULES EQUIPMENT CORPORATION. ANY REPRODUCTION IN PART OR AS A WHOLE WITHOUT THE WRITTEN PERMISSION OF HERKULES EQUIPMENT CORPORATION IS PROHIBITED AND MAY BE UNLAWFUL.

TOLERANCES UNLESS OTHERWISE NOTED

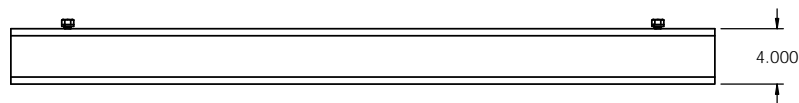
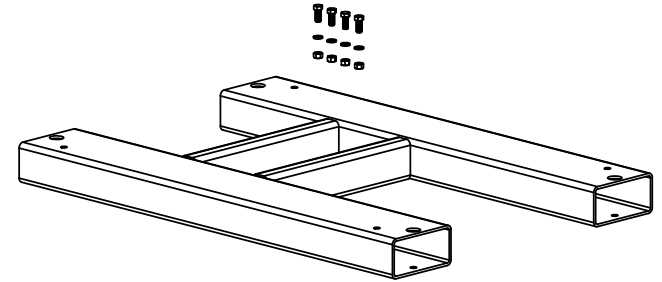
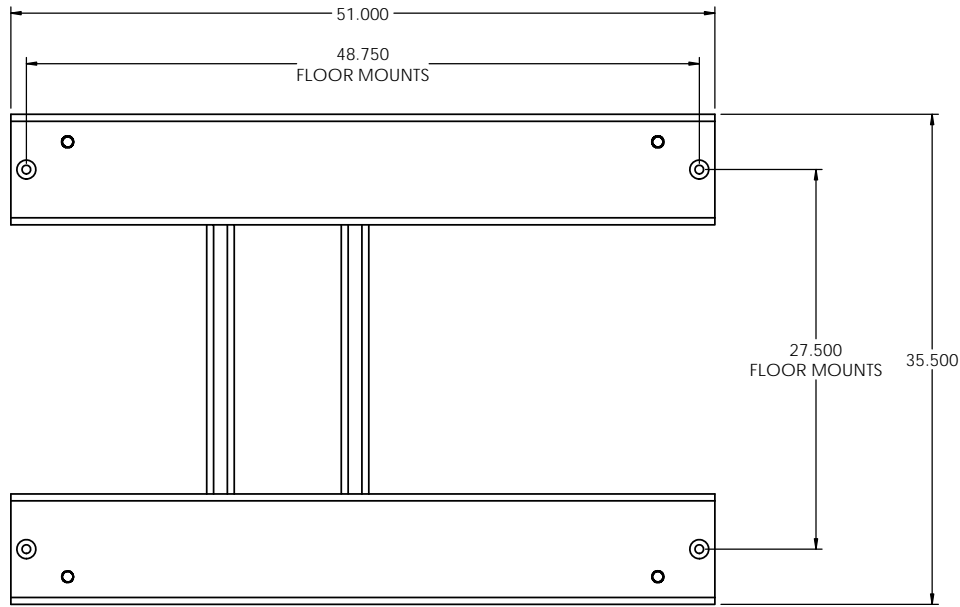
X ± .250  
 .XX ± .125  
 .XXX ± 0.030  
 .XXXX ± 0.0050  
 ANGLE ± 1°



DESCRIPTION: PORTABLE FORK POCKETS

DRN: BKH	PART NO.: 13826
DATE: 12/2/16	CHD BY: DWG NO.: 02095780 REV: SHEET: 1 of 1

PART #: 13768



SPECIFICATIONS - STANDARD

CAPACITY: 1,000 - 6,000 LBS  
 COMPATIBILITY: LIFT: ALS01, ALS02, ALS03  
 TILT: ATSO6, ATSO7  
 LIFT & TILT: ALTS10, ALTS11, ALTS14, ALTS15  
 COLOR: HERKULES SAFETY ORANGE  
 SAFETY FEATURES: NONE  
 WEIGHT: 191 LBS (APPROXIMATE)

THE NEED FOR SAFETY DEVICES VARIES WITH EACH APPLICATION OF THIS PRODUCT THIS DRAWING MAY NOT INCLUDE ALL APPROPRIATE SAFETY DEVICES FOR YOUR APPLICATION.

NOTE: SOME DETAILS ARE NOT INCLUDED ON THIS DRAWING FOR MORE DETAILED SPECIFICATIONS, PLEASE INQUIRE

**PROPRIETARY**

THE INFORMATION CONTAINED ON THIS DRAWING IS PROPRIETARY. IT IS THE SOLE PROPERTY OF HERKULES EQUIPMENT CORPORATION. ANY REPRODUCTION IN PART OR AS A WHOLE WITHOUT THE WRITTEN PERMISSION OF HERKULES EQUIPMENT CORPORATION IS PROHIBITED AND MAY BE UNLAWFUL.

TOLERANCES UNLESS OTHERWISE NOTED

X ± .250  
 .XX ± .125  
 .XXX ± 0.030  
 .XXXX ± 0.0050  
 ANGLE ± 1°



DESCRIPTION: PORTABLE FORK POCKETS

DRN: BKH

PART NO.: 13768

DATE: 12/2/16

CHKD BY:

DWG NO.: 02085691

REV:

SHEET: 1 of 1