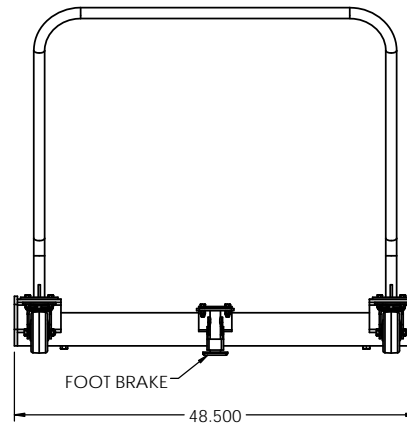
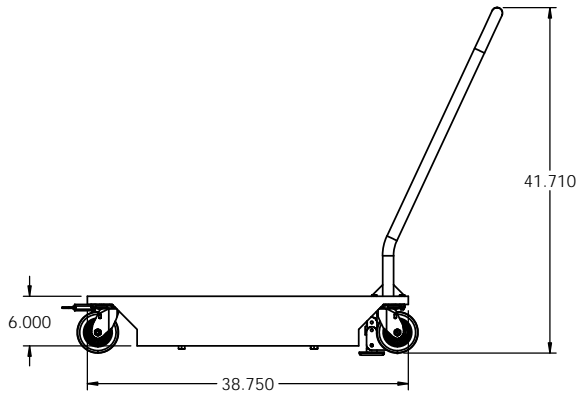
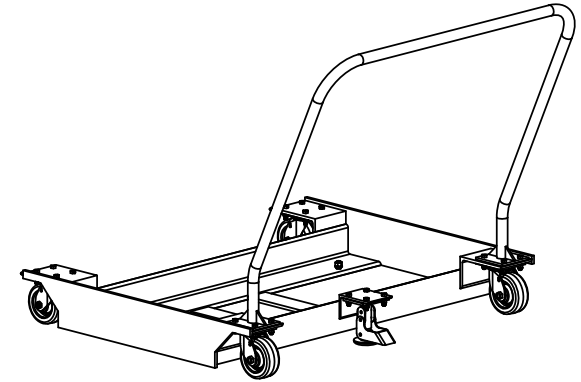
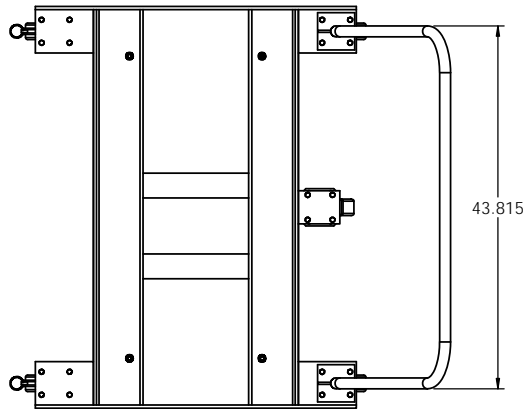


PART #: 13825



SPECIFICATIONS - STANDARD

CAPACITY: 1,000 - 3,000 LBS
 COMPATIBILITY: LIFT: ALS04
 TILT: ATSO8, ATSO9
 LIFT & TILT: ALTS12, ALTS13
 COLOR: HERKULES SAFETY ORANGE
 SAFETY FEATURES: FOOT BRAKE
 WEIGHT: 212 LBS (APPROXIMATE)

THE NEED FOR SAFETY DEVICES VARIES WITH EACH APPLICATION OF THIS PRODUCT THIS DRAWING MAY NOT INCLUDE ALL APPROPRIATE SAFETY DEVICES FOR YOUR APPLICATION.

NOTE: SOME DETAILS ARE NOT INCLUDED ON THIS DRAWING FOR MORE DETAILED SPECIFICATIONS, PLEASE INQUIRE

PROPRIETARY

THE INFORMATION CONTAINED ON THIS DRAWING IS PROPRIETARY. IT IS THE SOLE PROPERTY OF HERKULES EQUIPMENT CORPORATION. ANY REPRODUCTION IN PART OR AS A WHOLE WITHOUT THE WRITTEN PERMISSION OF HERKULES EQUIPMENT CORPORATION IS PROHIBITED AND MAY BE UNLAWFUL.

TOLERANCES UNLESS OTHERWISE NOTED
 X ± .250
 XX ± .125
 XXX ± 0.030
 .XXXX ± 0.0050
 ANGLE ± 1°



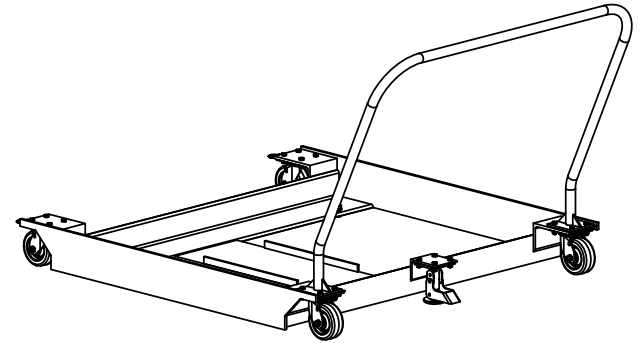
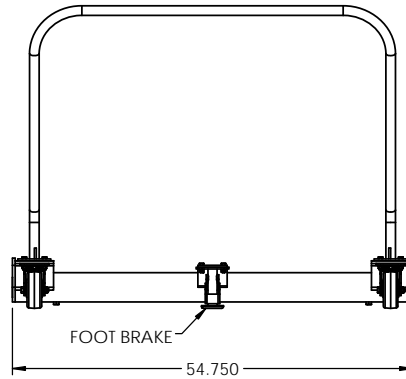
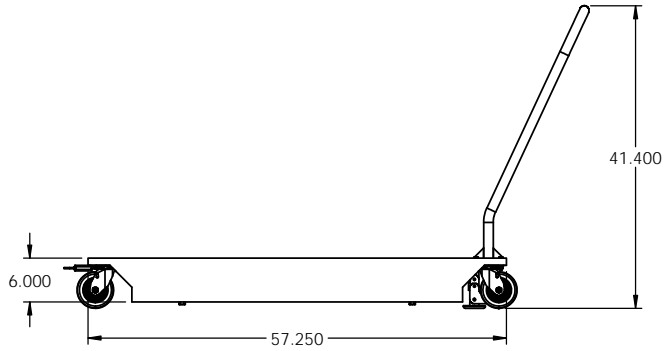
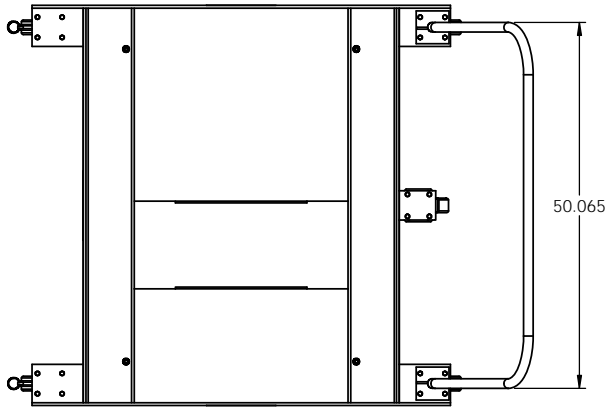
DESCRIPTION: PORTABLE CASTER CART W/FLOOR LOCK

DRN: BKH
 DATE: 12/2/16

PART NO.: 13825

CHKD BY: DWG NO.: 02095779 REV: SHEET: 1 of 1

PART #: 13760



SPECIFICATIONS - STANDARD

CAPACITY: 1,000 - 3,000 LBS
 COMPATIBILITY: LIFT: ALS01, ALS03
 TILT: ATSO6, ATSO7
 LIFT & TILT: ALTS10, ALTS11, ALTS14, ALTS15
 COLOR: HERKULES SAFETY ORANGE
 SAFETY FEATURES: FOOT BRAKE
 WEIGHT: 292 LBS (APPROXIMATE)

THE NEED FOR SAFETY DEVICES VARIES WITH EACH APPLICATION OF THIS PRODUCT THIS DRAWING MAY NOT INCLUDE ALL APPROPRIATE SAFETY DEVICES FOR YOUR APPLICATION.

NOTE: SOME DETAILS ARE NOT INCLUDED ON THIS DRAWING FOR MORE DETAILED SPECIFICATIONS, PLEASE INQUIRE

PROPRIETARY

THE INFORMATION CONTAINED ON THIS DRAWING IS PROPRIETARY. IT IS THE SOLE PROPERTY OF HERKULES EQUIPMENT CORPORATION. ANY REPRODUCTION IN PART OR AS A WHOLE WITHOUT THE WRITTEN PERMISSION OF HERKULES EQUIPMENT CORPORATION IS PROHIBITED AND MAY BE UNLAWFUL.

TOLERANCES UNLESS OTHERWISE NOTED
 X ± .250
 XX ± .125
 XXX ± 0.030
 .XXXX ± 0.0050
 ANGLE ± 1°



DESCRIPTION: PORTABLE CASTER CART W/FLOOR LOCK

DRN: BKH

PART NO.: 13760

DATE: 12/2/16

CHKD BY:

DWG NO.: 02085672

REV: SHEET: 1 of 1